

5. PARTS LIST SECTION

TITLE	PAGE
<u>INTRODUCTION</u>	
OVERVIEW -----	5-2
ORGANIZATION-----	5-2
SUBSYSTEM INFORMATION -----	5-2
SYMBOLOLOGY -----	5-3
<u>PARTS LIST</u>	
COVERS	
PL 1.1 COVERS-----	5-4
PRINT EXIT	
PL 2.1 PRINT EXIT ASSEMBLY -----	5-5
LVPS, ESS	
PL 3.1 LVPS, ESS -----	5-6
PL 3.2A C55/C55MP ESS COMPONENTS -----	5-7
PL 3.2B NC60 ESS COMPONENTS -----	5-8
RIGHT SIDE COMPONENTS 1	
PL 4.1 MAIN DRIVES -----	5-9
PL 4.2 PCU, HVPS -----	5-10
PL 4.3 COLOR TONER MOTOR, DEVELOPER MOTOR -----	5-11
PL 4.4 MAIN DRIVE COMPONENTS-----	5-12
PL 4.5 INTERLOCK SWITCHES, DEVEL- OPER DRIVE COMPONENTS-----	5-13
PL 4.6 TONER SOLENOID, MAGNETIC ROLL CLEANER SOLENOIDS ---	5-14

TITLE	PAGE
RIGHT SIDE COMPONENTS 2	
PL 5.1 CLUTCHES (MAGNETIC ROLL, TONER, MAGNETIC ROLL CLEANER) -----	5-15
INNER DRIVE COMPONENTS	
PL 6.1 DRIVE COVER ASSEMBLY -----	5-16
PL 6.2 SLIDE CAM ASSEMBLY, INNER DRIVE FRAME -----	5-17
PL 6.3 INNER DRIVE FRAME COMPONENTS-----	5-18
XEROGRAPHIC CONNECTORS	
PL 7.1 DEVELOPER CONNECTORS, BRACKET -----	5-19
PL 7.2 PRINT DRUM CONNECTORS, BRACKETS -----	5-20
PAPER FEED ASSEMBLY	
PL 8.1 PAPER FEED ASSEMBLY PART 1 OF 3 -----	5-21
PL 8.1 PAPER FEED ASSEMBLY PART 2 OF 3 -----	5-22
PL 8.1 PAPER FEED ASSEMBLY PART 3 OF 3 -----	5-23
TRANSFER DRUM COMPONENTS 1	
PL 9.1 FUSER, TD CLEANER DRIVES--	5-24
PL 9.2 TRANSFER FRAME (LEFT)-----	5-25
PL 9.3 STRIPPER FINGERS -----	5-26
PL 9.4 TRANSFER DRUM CLEANER, CLUTCH, AND SHAFT-----	5-27

TITLE	PAGE	
TRANSFER DRUM COMPONENTS 2		
PL 10.1 TRANSFER FRAME LEFT SIDE COMPONENTS -----	5-28	
PL 10.2 TRANSFER FRAME UPPER COMPONENTS -----	5-29	
PL 10.3 TRANSFER FRAME RIGHT SIDE COMPONENTS -----	5-30	
PL 10.4 TRANSFER FRAME COMPONENTS (FRONT) -----	5-31	
TRANSFER DRUM		
PL 11.1 TRANSFER DRUM ASSEMBLY	5-32	
ROS		
PL 12.1 ROS COMPONENTS-----	5-33	
TONER DISPENSER ASSEMBLY (K)		
PL 13.1 BLACK TONER DISPENSER ASSEMBLY (K)-----	5-34	
PAPER CASSETTE		
PL 14.1 PAPER CASSETTE COMPONENTS -----	5-35	
TRAY 2 COMPONENTS		
PL 27.1 TRAY 2 COMPONENTS PART 1 OF 3-----	5-36	
PL 27.2 TRAY 2 COMPONENTS PART 2 OF 3-----	5-37	
PL 27.3 TRAY 2 COMPONENTS PART 3 OF 3-----	5-38	
<u>PART NUMBER INDEX</u> -----		3-39

OVERVIEW

The Parts List section identifies all part numbers and the corresponding location of all spared subsystem components.

ORGANIZATION

PARTS LISTS

Each item number in the part number listing corresponds to an item number in the related illustration. All the parts in a given subsystem of the machine will be located in the same illustration or in a series of associated illustrations.

ELECTRICAL CONNECTORS AND FASTENERS

This section contains the illustrations and descriptions of the plugs, jacks, and fasteners used in the machine. A part number listing of the connectors is included.

COMMON HARDWARE

The common hardware is listed in alphabetical order by the letter or letters used to identify each item in the part number listing and in the illustrations. Dimensions are in millimeters unless otherwise identified.

PART NUMBER INDEX

This index lists all the spared parts in the machine in numerical order. Each number is followed by a reference to the parts list on which the part may be found.

OTHER INFORMATION

ABBREVIATIONS

Abbreviations are used in the parts lists and the exploded view illustrations to provide information in a limited amount of space. The following abbreviations are used in this manual:

C	Cyan
DC	Direct Current
ESS	Electronic Sub-system
HVPS	High Voltage Power Supply
HZ	Hertz
IF	Interface
K	Black
LVPS	Low Voltage Power Supply
M	Magenta
MB	MegaByte
MM	Millimeter
PCL	Printer Control Language
P/O	Part Of
PS	PostScript
PWB	Printed Wiring Board
REF	Reference
SLIC	Serial Local Interface Card
SIMM	Single Inline Memory Module
T	Teeth
TD	Transfer Drum
Y	Yellow

SYMBOLLOGY

Symbology used in the Parts List section is identified in the Symbology section.

SUBSYSTEM INFORMATION

USE OF THE TERM "ASSEMBLY"

The term "assembly" will be used for items in the part number listing that include other itemized parts in the part number listing. When the word "assembly" is found in the part number listing, there will be a corresponding item number on the illustrations followed by a bracket and a listing of the contents of the assembly.

BRACKETS

A bracket is used when an assembly or kit is spared, but is not shown in the illustration. The item number of the assembly or kit precedes the bracket; the item numbers of the piece parts follow the bracket.

Tag

The notation "W/Tag" in the parts description indicates that the part configuration has been updated. Check the Change Tag Index in the General Information section of the Service Data for the name and purpose of the modification.

In some cases, a part or assembly may be spared in two versions: with the Tag and without the Tag. In those cases, use whichever part is appropriate for the configuration of the machine on which the part is to be installed. If the machine does not have a particular Tag and the only replacement part available is listed as "W/Tag," install the Tag kit or all of the piece parts. The Change Tag Index tells you which kit or piece parts you need.

Whenever you install a Tag kit or all the piece parts that make up a Tag, mark the appropriate number on the Tag matrix.

SYMBOLOLOGY

A tag number within a circle and pointing to an item number shows that the part has been changed by the tag number within the circle (Figure 1). Information on the modification is in the Change Tag Index.

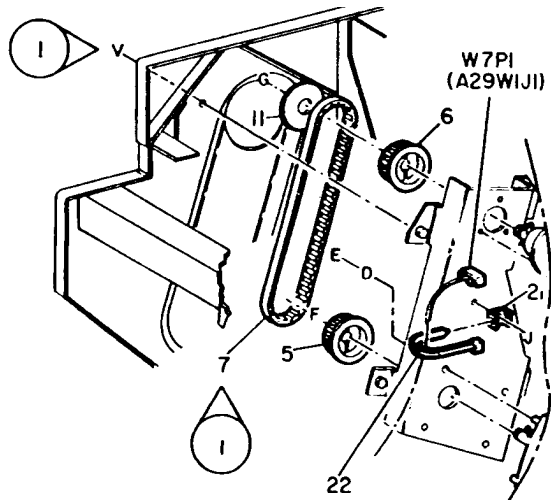


Figure 1. With Tag Symbol

A tag number within a circle having a shaded bar and pointing to an item number shows that the configuration of the part shown is the configuration before the part was changed by the tag number within the circle (Figure 2).

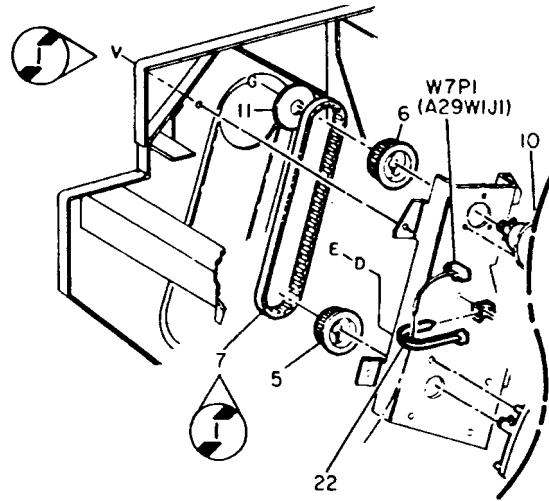


Figure 2. Without Tag Symbol

A tag number within a circle with no apex shows that the entire drawing has been changed by the tag number within the circle (Figure 3). Information on the modification is in the Change Tag Index.

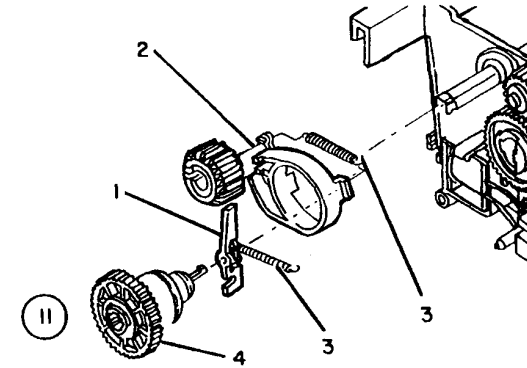


Figure 3. Entire Drawing With Tag Symbol

A tag number within a circle with no apex and having a shaded bar shows that the entire drawing was the configuration before being changed by the tag number within the circle (Figure 4).

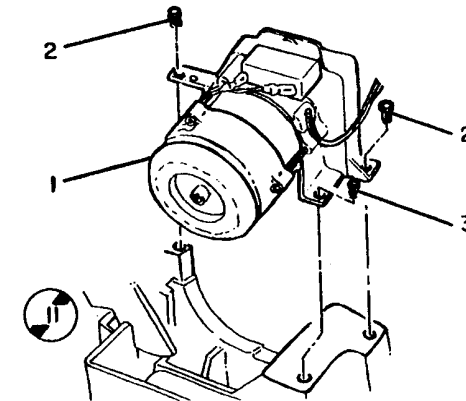
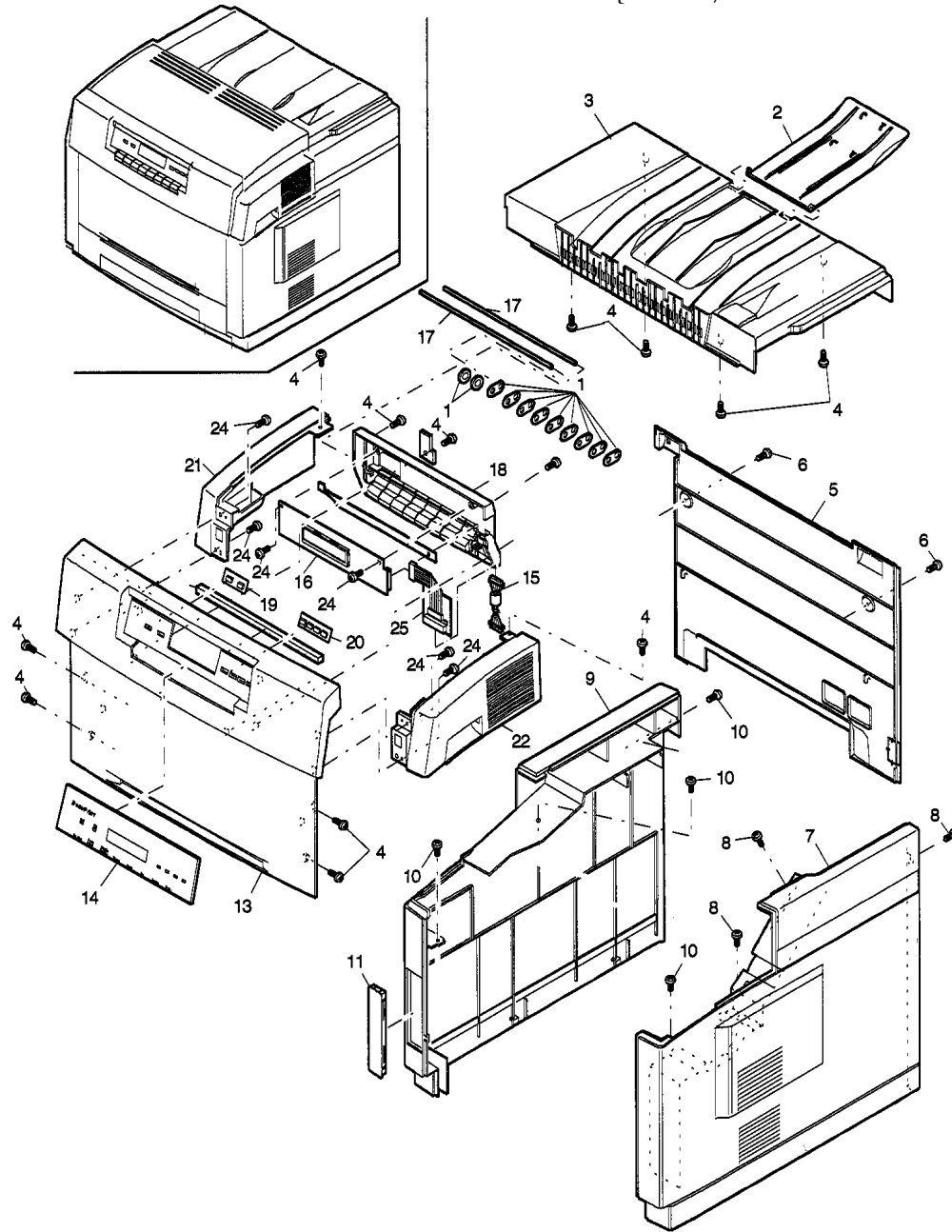


Figure 4. Entire Drawing Without Tag Symbol

PL 1.1 COVERS

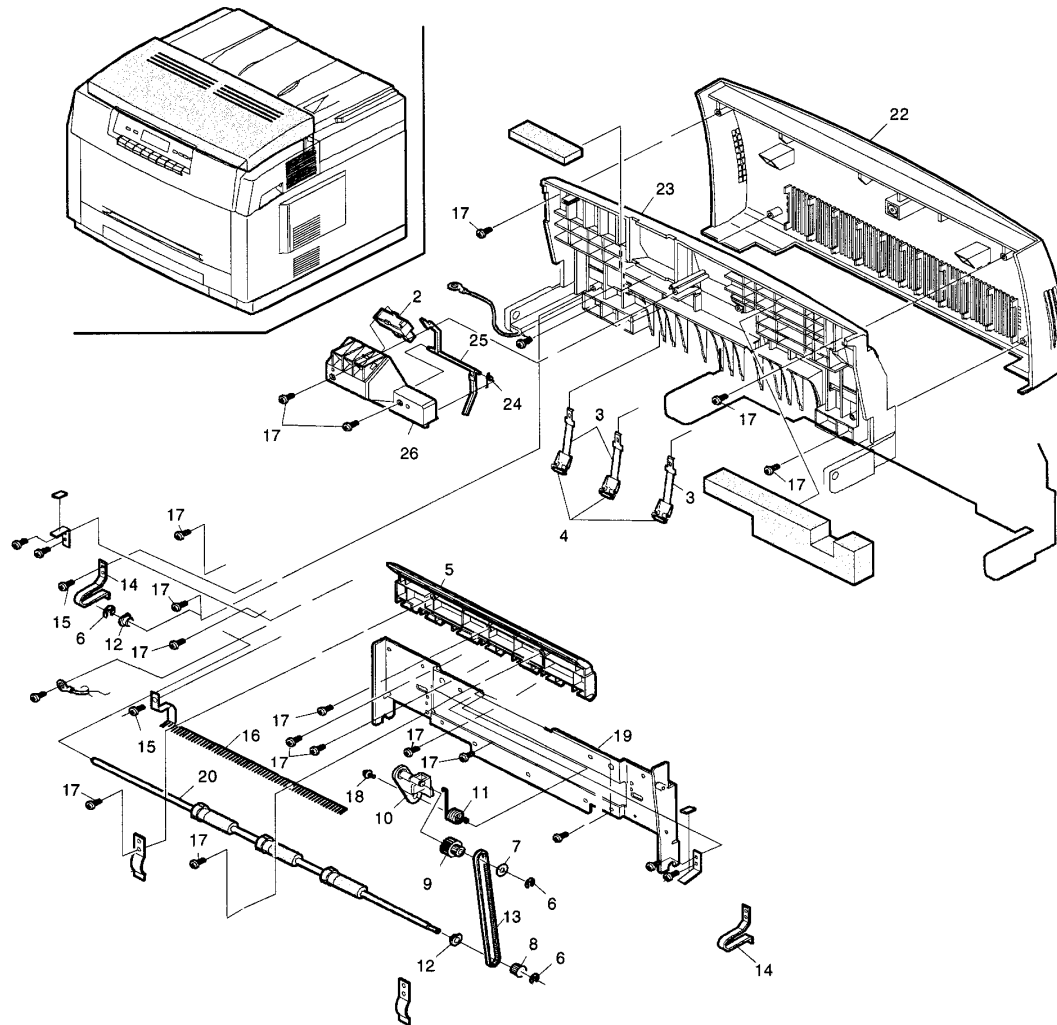
12 { 13 - 22, 25



ITEM	PART	DESCRIPTION
1	NOT SPARED	SPACER
2	38E17370	OUTPUT GUIDE
3	48E43540	TOP REAR COVER (REP 1.1)
4	NOT SPARED	SCREW (M3X8)
5	48E43550	REAR COVER (REP 1.2)
6	NOT SPARED	SCREW (M3X6)
7	48E43560	RIGHT COVER (REP 1.3)
8	NOT SPARED	SCREW (M3X8)
9	48E43580	LEFT COVER (REP 1.3)
10	NOT SPARED	SCREW
11	NOT SPARED	BLIND COVER
12	48K56920	FRONT COVER ASSEMBLY C55 (REP 1.4)
--	802E6940	FRONT COVER ASSEMBLY NC60 (REP 1.4)
13	(P/O ITEM 12)	FRONT COVER
14	(P/O ITEM 12)	DISPLAY PANEL
15	162K29280	HARNESS
16	101E13090	CONTROL PANEL
17	24E2480	ROD
18	3E42110	BUTTON UNIT C55
--	802E6950	BUTTON UNIT NC60
19	(P/O ITEM 12)	PANEL A
20	(P/O ITEM 12)	PANEL B
21	48E53740	LEFT COVER
22	48E53730	RIGHT COVER
23	NA	
24	NOT SPARED	SCREW (M3X6)
25	(P/O ITEM 16)	SUPPRESSION PWB

PL 2.1 PRINT EXIT ASSEMBLY

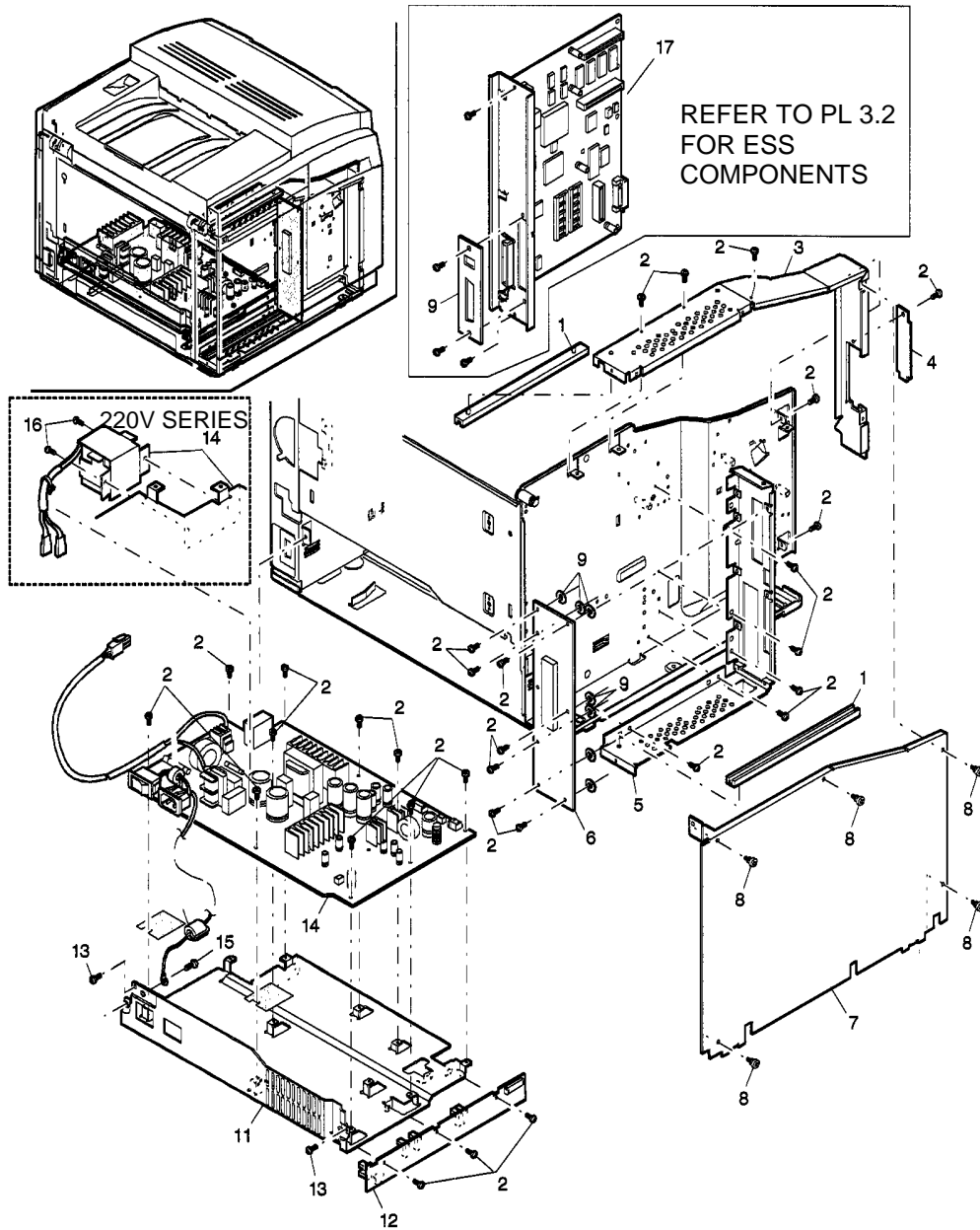
1 { 2 - 26



ITEM	PART	DESCRIPTION
1	48K56910	EXIT ASSEMBLY
2	130E7980	EXIT SENSOR
3	22K53910	GUIDE ROLLER
4	P/O ITEM 3	
5	38E18360	GUIDE
6	(P/O ITEM 1)	RETAINING RING (3MM)
7	(P/O ITEM 1)	WASHER
8	7E51210	GEAR
9	7E51200	IDLER GEAR
10	15E64370	OUTPUT DRIVE ARM
11	809E5670	SPRING
12	13E12520	BEARING
13	23E14890	BELT
14	809E1780	SPRING
15	NOT SPARED	SCREW (M3X4)
16	115E5830	STATIC ELIMINATOR
17	NOT SPARED	SCREW (M3X8)
18	NOT SPARED	SCREW (M3X6)
19	1E46930	OUTPUT FRAME
20	6E58160	OUTPUT SHAFT
21	N/A	
22	48E43530	TOP FRONT COVER (REP 2.1)
23	55E38910	SHIELD
24	809E5660	SPRING
25	120E15800	ACTUATOR
26	101E13700	SENSOR COVER

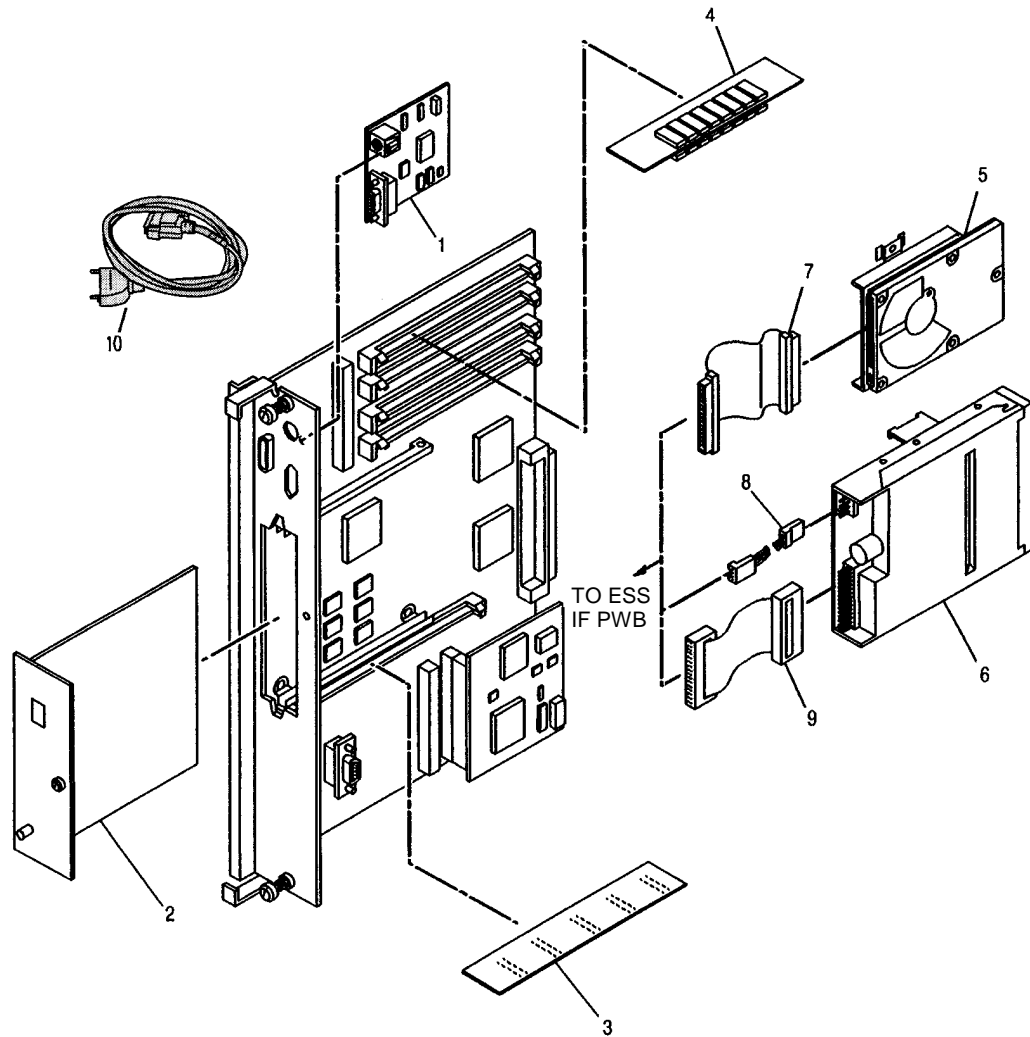
PL 3.1 LVPS, ESS

10 { 11 - 14



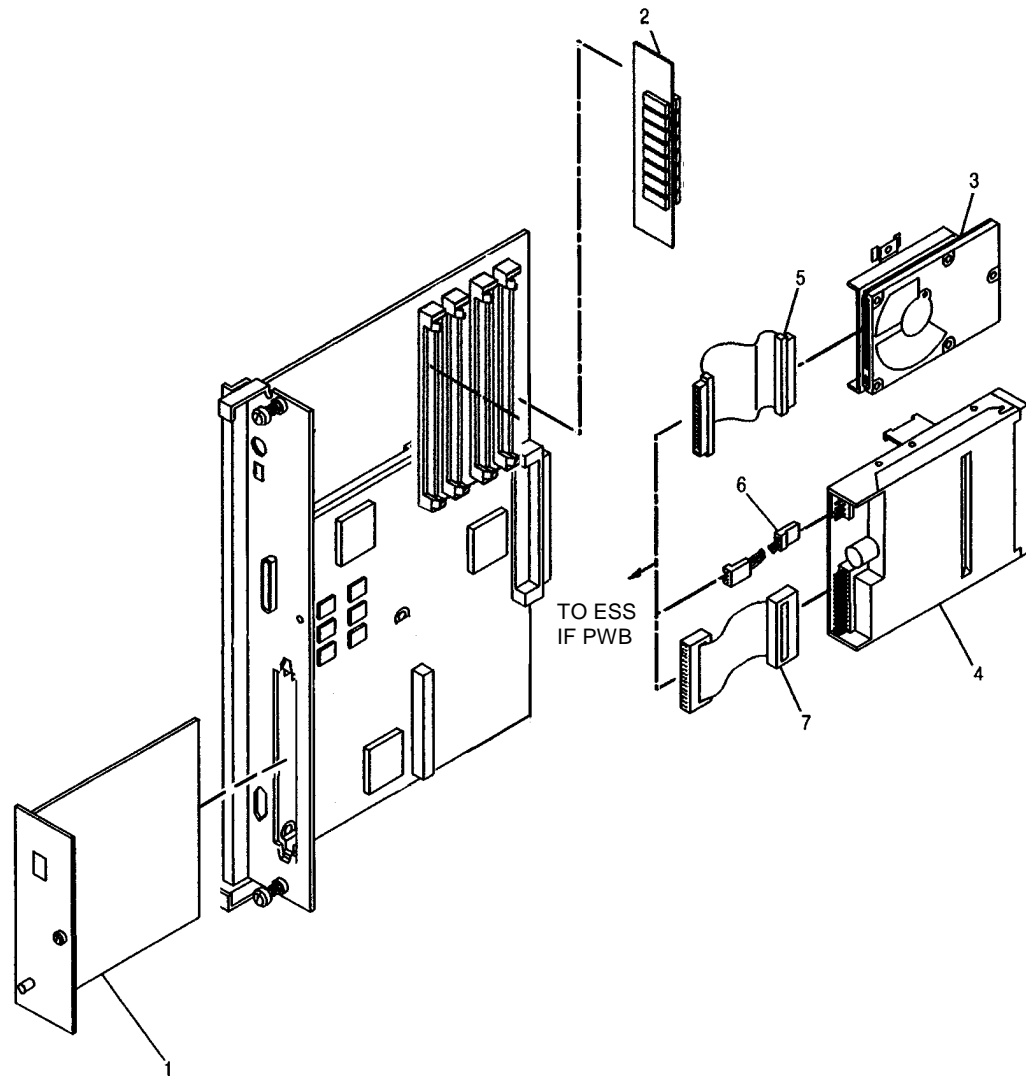
ITEM	PART	DESCRIPTION
1	NOT SPARED	GUIDE
2	NOT SPARED	SCREW (M3X6)
3	NOT SPARED	SHROUD
4	NOT SPARED	COVER
5	NOT SPARED	SHROUD
6	160K32850	ESS IF BOARD
7	NOT SPARED	
8	NOT SPARED	
9	NOT SPARED	
10	105K16400	LVPS ASSY (110V) (REP 3.1)
-	105K16390	LVPS ASSY (220V) (REP 3.1)
11	(P/O ITEM 10)	BRACKET
12	160K32790	CASSETTE PWB (REP 3.2)
13	(P/O ITEM 10)	SCREW (M3X6)
14	(P/O ITEM 10)	LVPS PWB
15	NOT SPARED	SCREW (M4X6)
16	NOT SPARED	SCREW (M3X4)
17	160K49683	ESS PWB - C55 (REP 3.4)
--	160K63720	ESS PWB - NC60 (REP 3.4)

PL 3.2A C55/C55MP ESS COMPONENTS



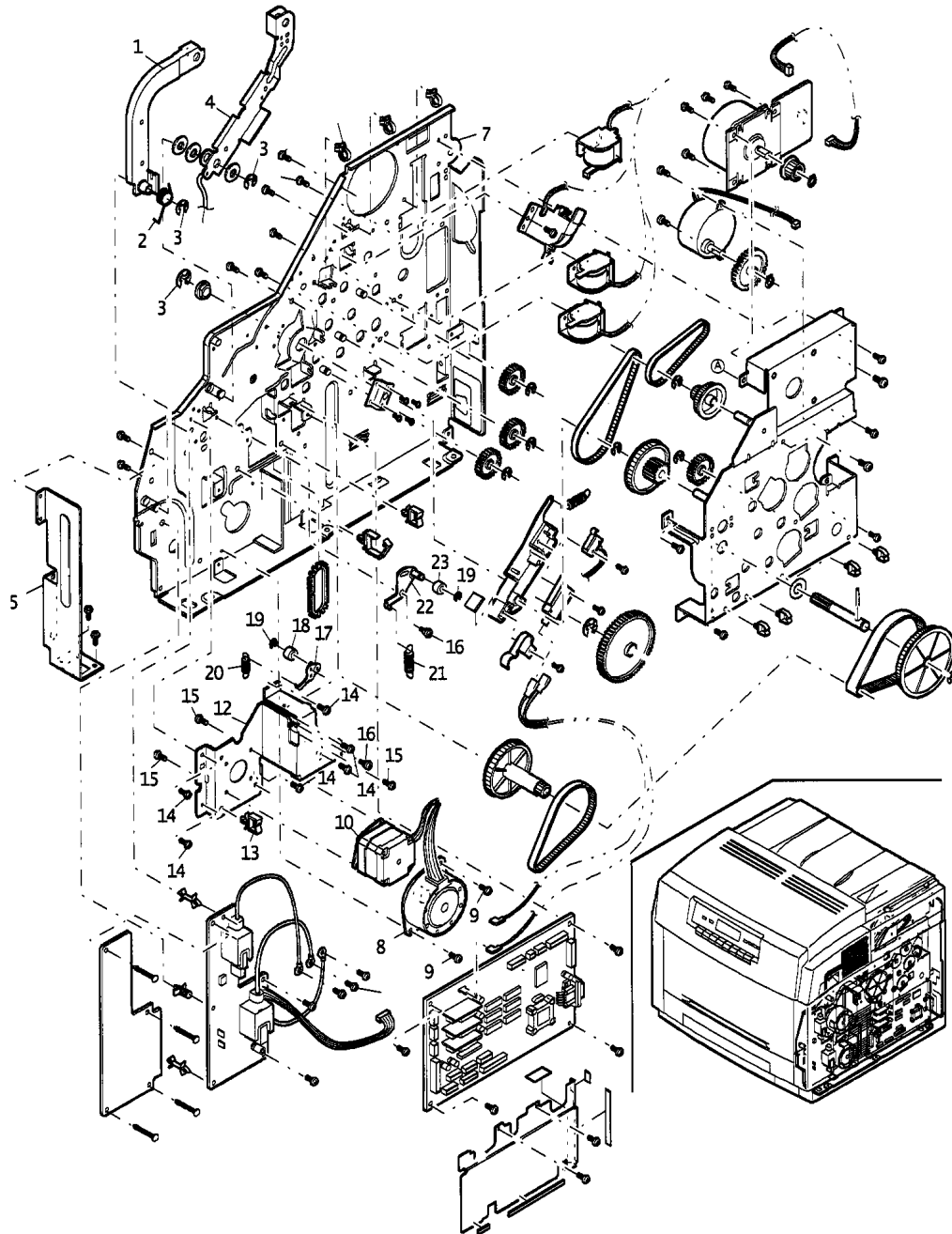
ITEM	PART	DESCRIPTION
1	160K40980	SLIC PWB
2	160K27110	TOKEN RING CARD (OPTIONAL)
	160K40220	ETHERNET CARD (OPTIONAL)
3	160K40550	PCL FONT SIMM
	160K40560	PCL / PS FONT SIMM
4	733W3660	4MB MEMORY SIMM
	733W3647	8MB MEMORY SIMM
	733W3642	16MB MEMORY SIMM
	733W3675	32MB MEMORY SIMM
5	146K560	HARD DISK DRIVE
6	121K15660	MEDIA SERVER
7	162K28010	DATA HARNESS
8	162K27990	DC POWER HARNESS
9	162K28000	DATA HARNESS
10	117E18150	PARALLEL CABLE

PL 3.2B [NC60] ESS COMPONENTS



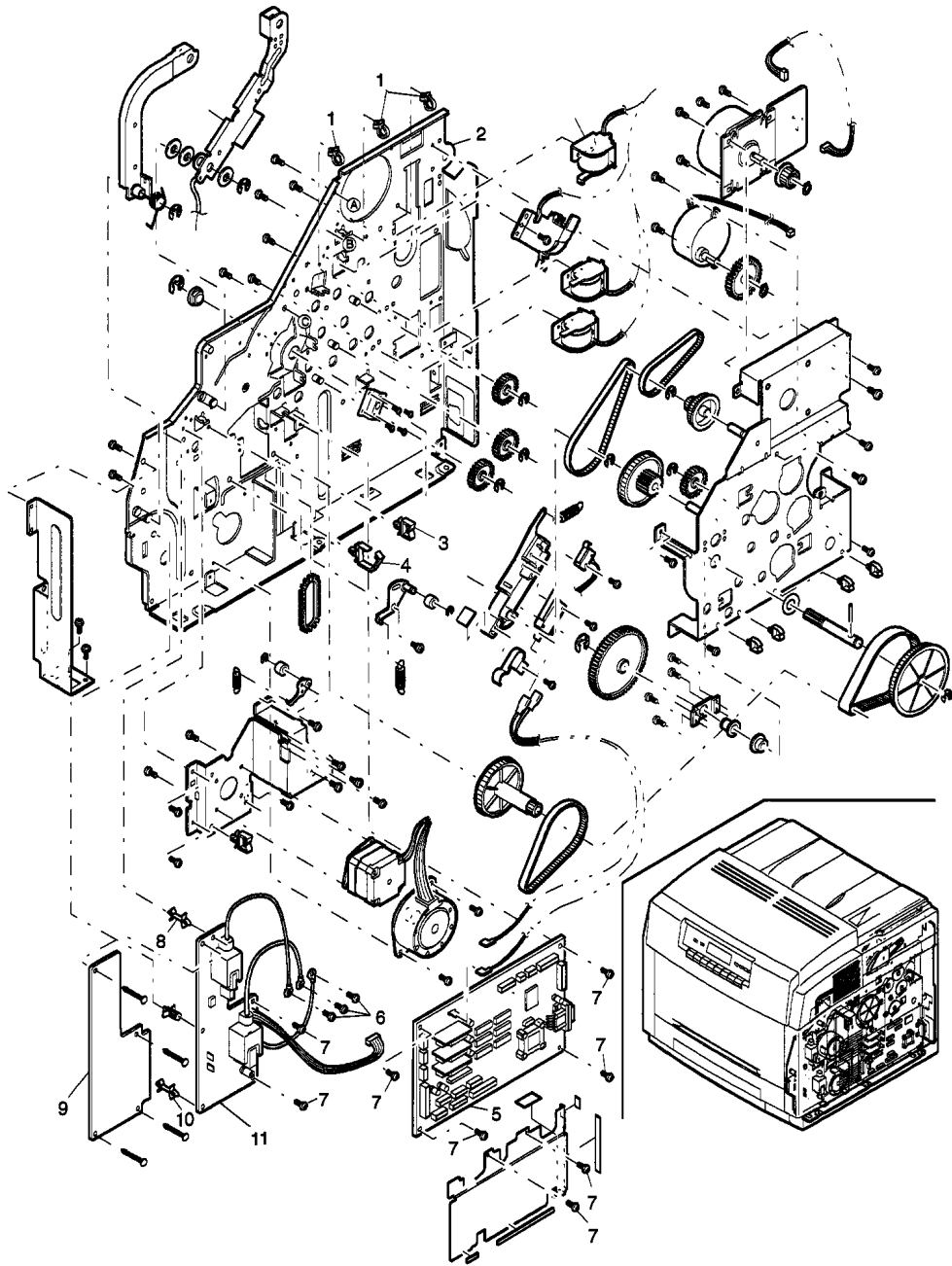
ITEM	PART	DESCRIPTION
1	160K44790	TOKEN RING CARD (OPTIONAL)
--	160K54960	ETHERNET CARD (100 MB) (OPTIONAL)
2	733W6865	8MB MEMORY SIMM
--	733W6866	16MB MEMORY SIMM
--	733W6867	32MB MEMORY SIMM
3	121K25380	HARD DISK DRIVE
4	121K15660	MEDIA SERVER
5	162K28010	DATA HARNESS
6	162K27990	DC POWER HARNESS
7	162K28000	DATA HARNESS

PL 4.1 MAIN DRIVES



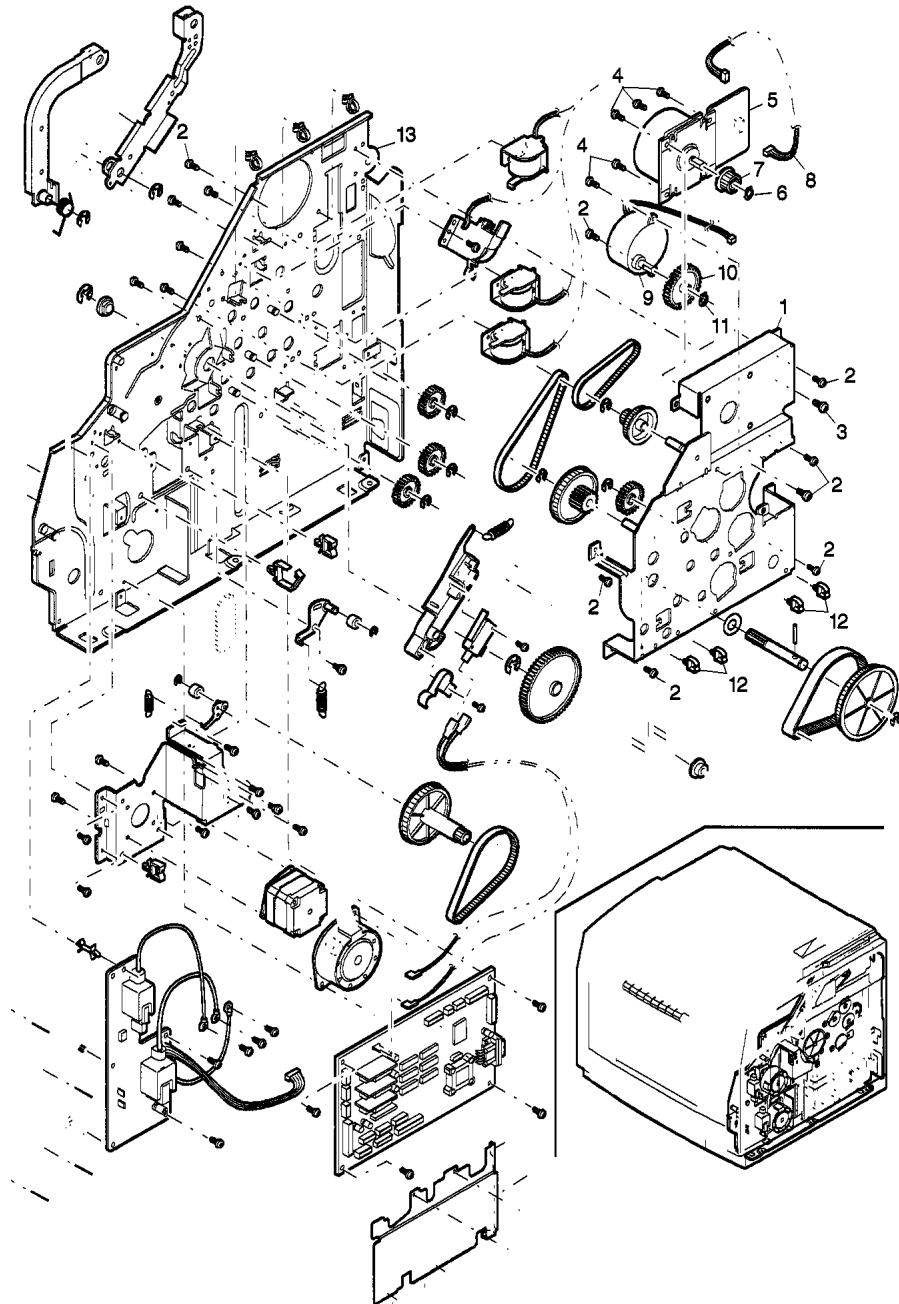
ITEM	PART	DESCRIPTION
1	12E8440	LOWER LINK
2	809E1700	LOWER LINK SPRING
3	NOT SPARED	RETAINING RING (7MM)
4	12E8430	UPPER LINK
5	NOT SPARED	BRACKET
6	NA	
7	NOT SPARED	RIGHT SIDE FRAME
8	127E10950	PAPER FEED MOTOR
9	NOT SPARED	SCREW (M3X8)
10	127E10940	MAIN DRIVE MOTOR (REP 4.1)
11	NA	
12	49E84410	MAIN DRIVE BRACKET
13	NOT SPARED	CABLE CLAMP
14	NOT SPARED	SCREW (M3X6)
15	NOT SPARED	SCREW (M3X6)
16	NOT SPARED	SCREW
17	NOT SPARED	TENSION ARM
18	22E21890	TENSION PULLEY
19	NOT SPARED	RETAINING RING (4MM)
20	809E2170	SPRING
21	NOT SPARED	SPRING
22	31E8800	TENSION ARM
23	22E21880	TENSION PULLEY

PL 4.2 PCU HVPS



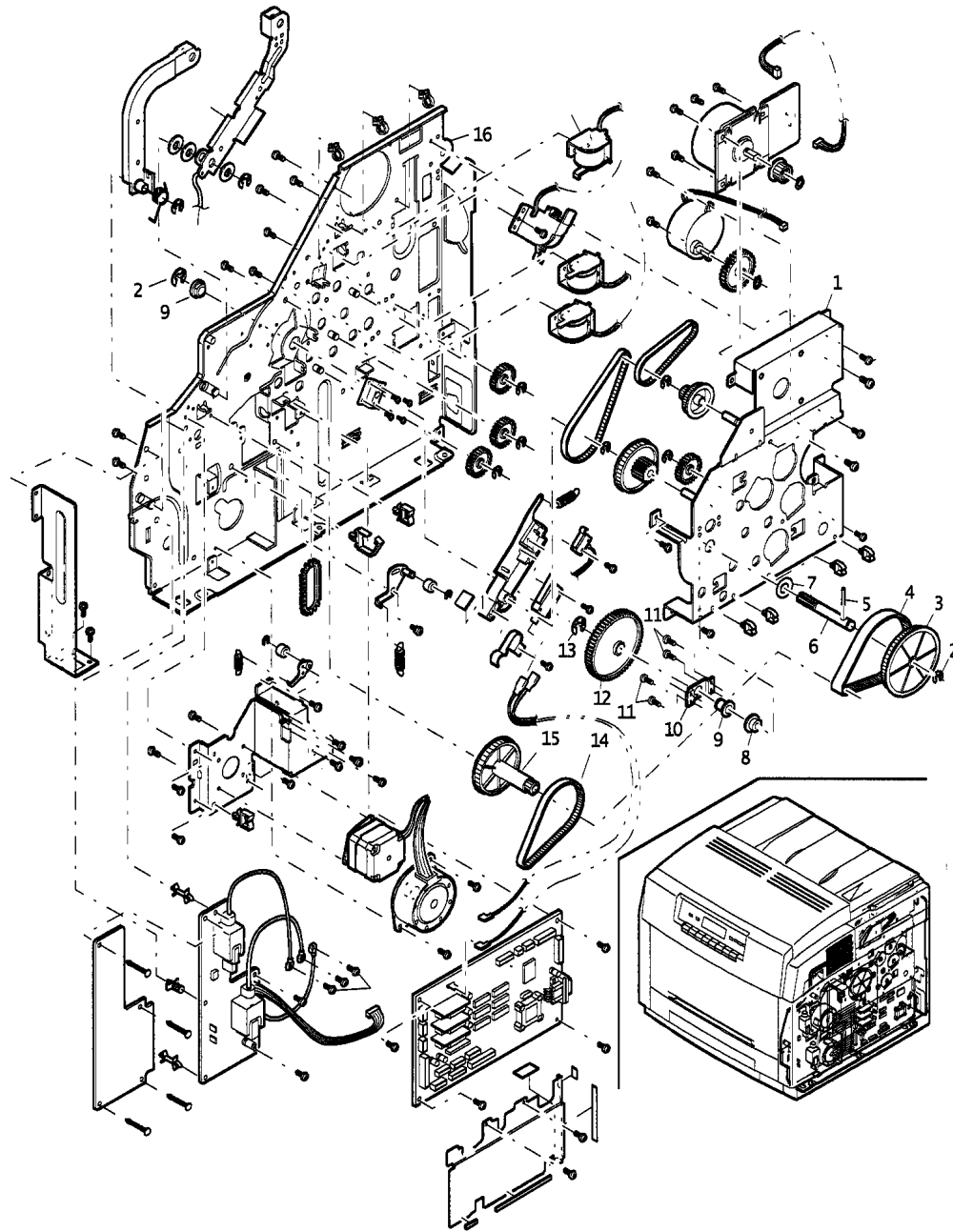
ITEM	PART	DESCRIPTION
1	NOT SPARED	CABLE CLAMP
2	NOT SPARED	RIGHT SIDE FRAME
3	NOT SPARED	CABLE CLAMP
4	NOT SPARED	CABLE CLAMP
5	160K50080	PCU BOARD C55
--	180K60120	PCU BOARD NC60
6	NOT SPARED	SCREW
7	NOT SPARED	SCREW (M3X8)
8	NOT SPARED	STANDOFF
9	NOT SPARED	PLATE
10	NOT SPARED	STANDOFF
11	105K16410	HVPS

PL 4.3 COLOR TONER MOTOR, DEVELOPER MOTOR



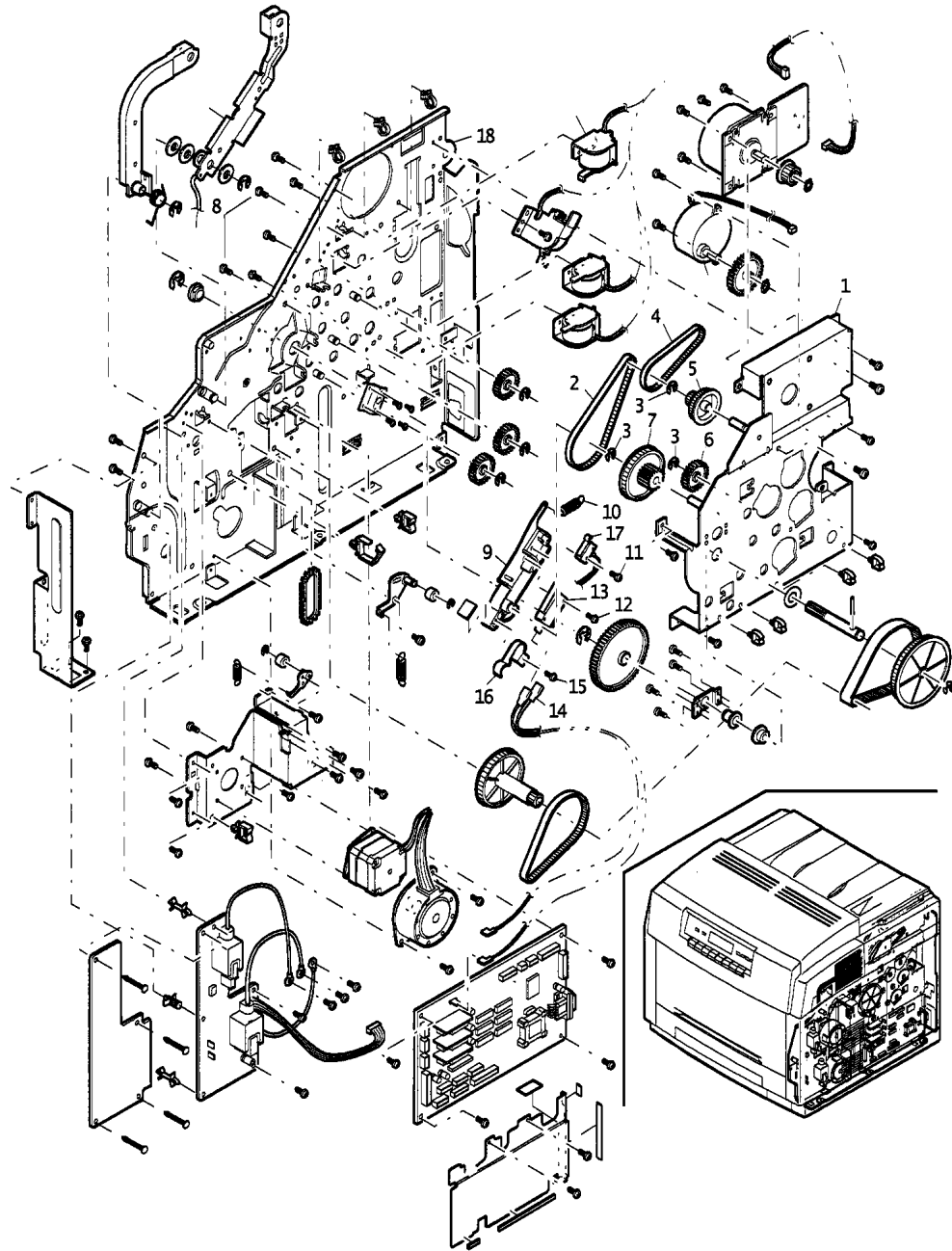
ITEM	PART	DESCRIPTION
1	NOT SPARED	DRIVES FRAME
2	NOT SPARED	SCREW (M3X6)
3	NOT SPARED	SCREW (M4X8)
4	NOT SPARED	SCREW (M4X6)
5	127E10890	DEVELOPER MOTOR (REP 4.6)
6	NOT SPARED	RETAINING RING
7	20E28760	DEVELOPER PULLEY
8	162K35600	HARNESS
9	127E10900	COLOR TONER MOTOR (REP 4.5)
10	7E48420	GEAR
11	NOT SPARED	RETAINING RING
12	NOT SPARED	CABLE TIE
13	NOT SPARED	RIGHT SIDE FRAME

PL 4.4 MAIN DRIVE COMPONENTS



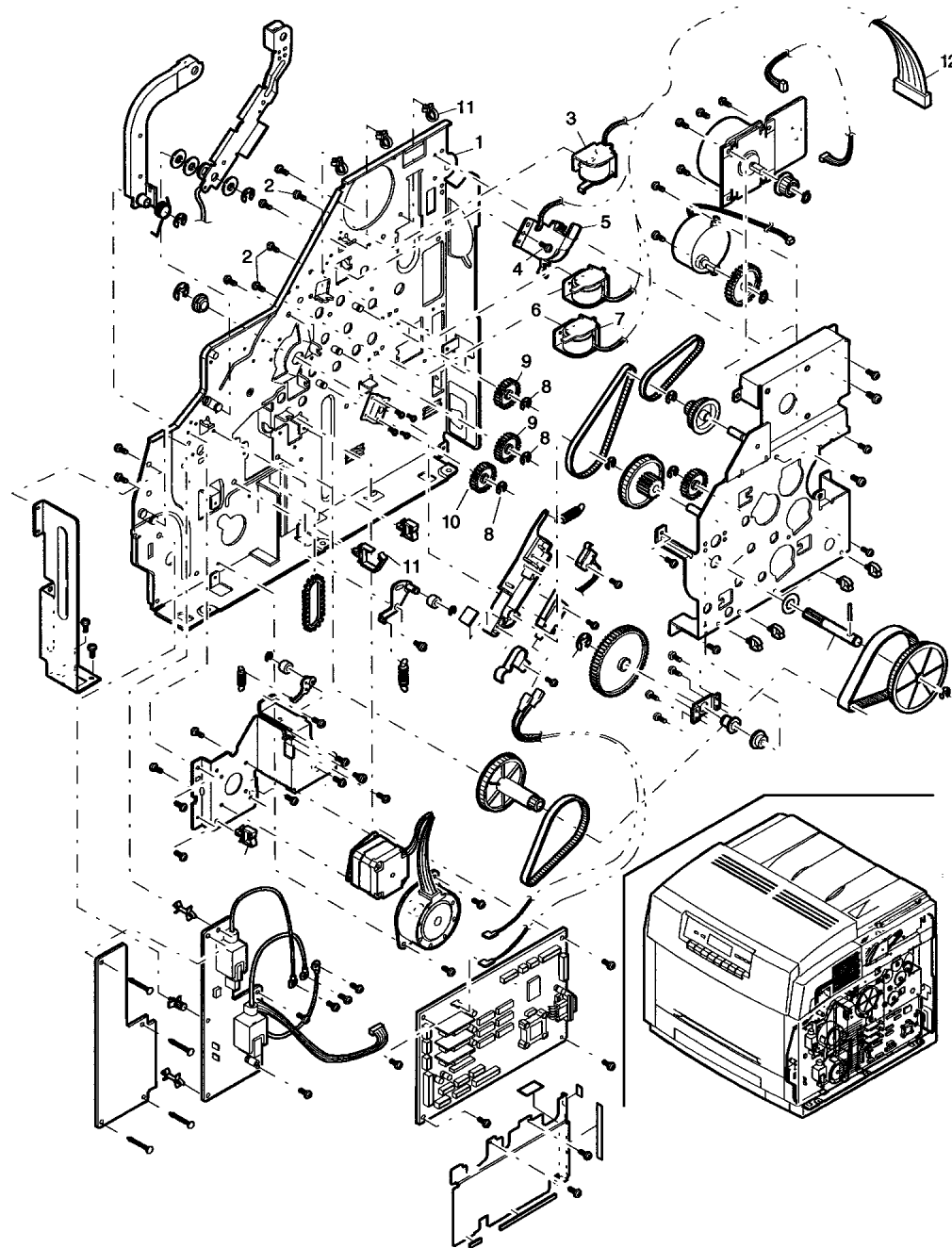
ITEM	PART	DESCRIPTION
1	NOT SPARED	DRIVES FRAME
2	NOT SPARED	RETAINING RING (7MM)
3	20E28780	PULLEY
4	23E14940	MAIN DRIVE BELT A (REP 4.2)
5	29E25280	PIN
6	6E61520	SHAFT
7	NOT SPARED	WASHER
8	13E13390	BEARING
9	13E13350	BEARING
10	15E64320	GEAR SUPPORT PLATE
11	NOT SPARED	SCREW (M3X6)
12	7E48480	GEAR
13	NOT SPARED	RETAINING RING
14	23E14950	MAIN DRIVE BELT B (REP 4.2)
15	20E28790	MAIN DRIVE PULLEY
16	NOT SPARED	RIGHT SIDE FRAME

PL 4.5 INTERLOCK SWITCHES, DEVELOPER DRIVE COMPONENTS



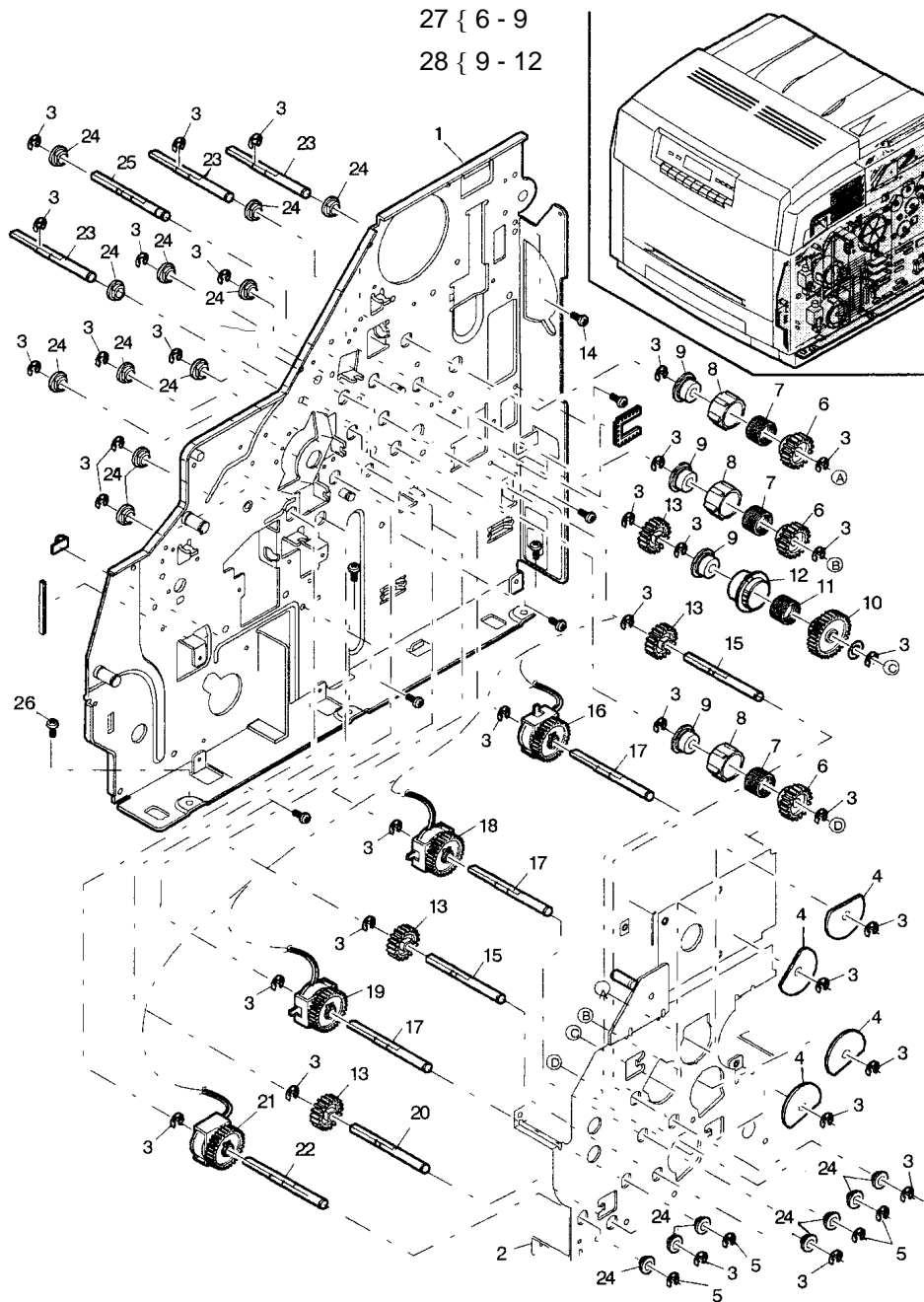
ITEM	PART	DESCRIPTION
1	NOT SPARED	DRIVES FRAME
2	23E14930	BELT C (REP 4.3)
3	NOT SPARED	RETAINING RING (5MM)
4	23E14920	BELT D (REP 4.3)
5	20E28770	UPPER IDLER PULLEY
6	7E48460	SHUTTER IDLER
7	7E48450	LOWER IDLER PULLEY
8	NOT SPARED	SCREW (M3X6)
9	49E72000	BRACKET
10	809E2110	SPRING
11	NOT SPARED	SCREW (M2X10)
12	NOT SPARED	SCREW (M3X14)
13	110E7560	INTERLOCK SWITCH (REP 4.4)
14	162K35610	HARNESS
15	NOT SPARED	SCREW (M3X12)
16	809E2090	SPRING
17	110E7550	LASER INTERLOCK SWITCH (REP 4.4)
18	NOT SPARED	RIGHT SIDE FRAME

PL 4.6 TONER SOLENOID, MAG ROLL, CLEANER SOLENOIDS



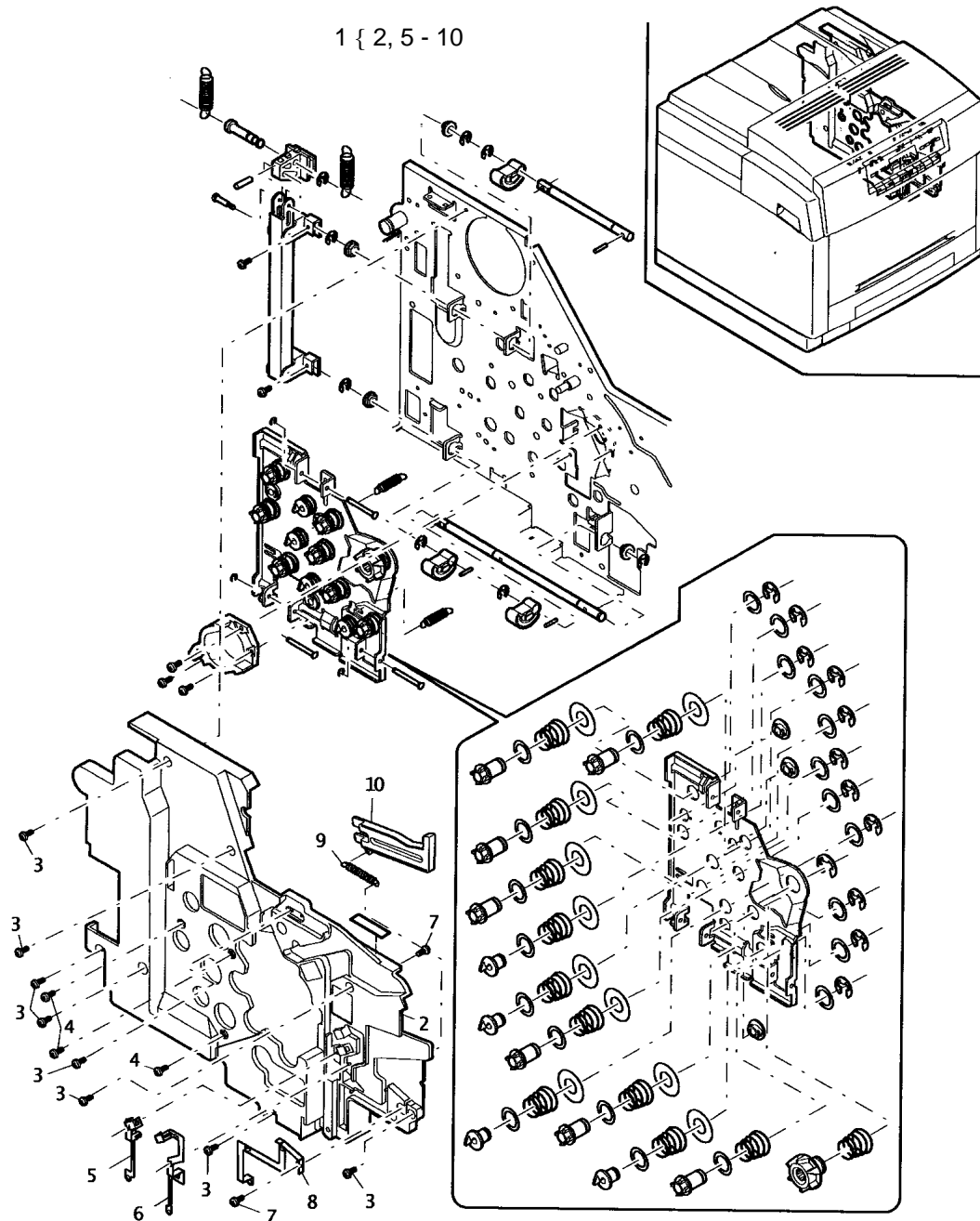
ITEM	PART	DESCRIPTION
1	NOT SPARED	RIGHT SIDE FRAME
2	NOT SPARED	SCREW
3	121E13350	TONER SOLENOID (Y) (REP 4.7)
4	NOT SPARED	SCREW
5	121E13360	MAG ROLL CLEANER SOLENOID (REP 4.7)
6	121E13370	TONER SOLENOID (M) (REP 4.7)
7	121E13380	TONER SOLENOID (C) (REP 4.7)
8	NOT SPARED	RETAINING RING
9	7E48540	IDLER GEAR
10	NOT SPARED	IDLER GEAR
11	NOT SPARED	CABLE CLAMP
12	162K35700	HARNESS

PL 5.1 CLUTCHES (MAG ROLL, TONER, MAG ROLL CLEANER)



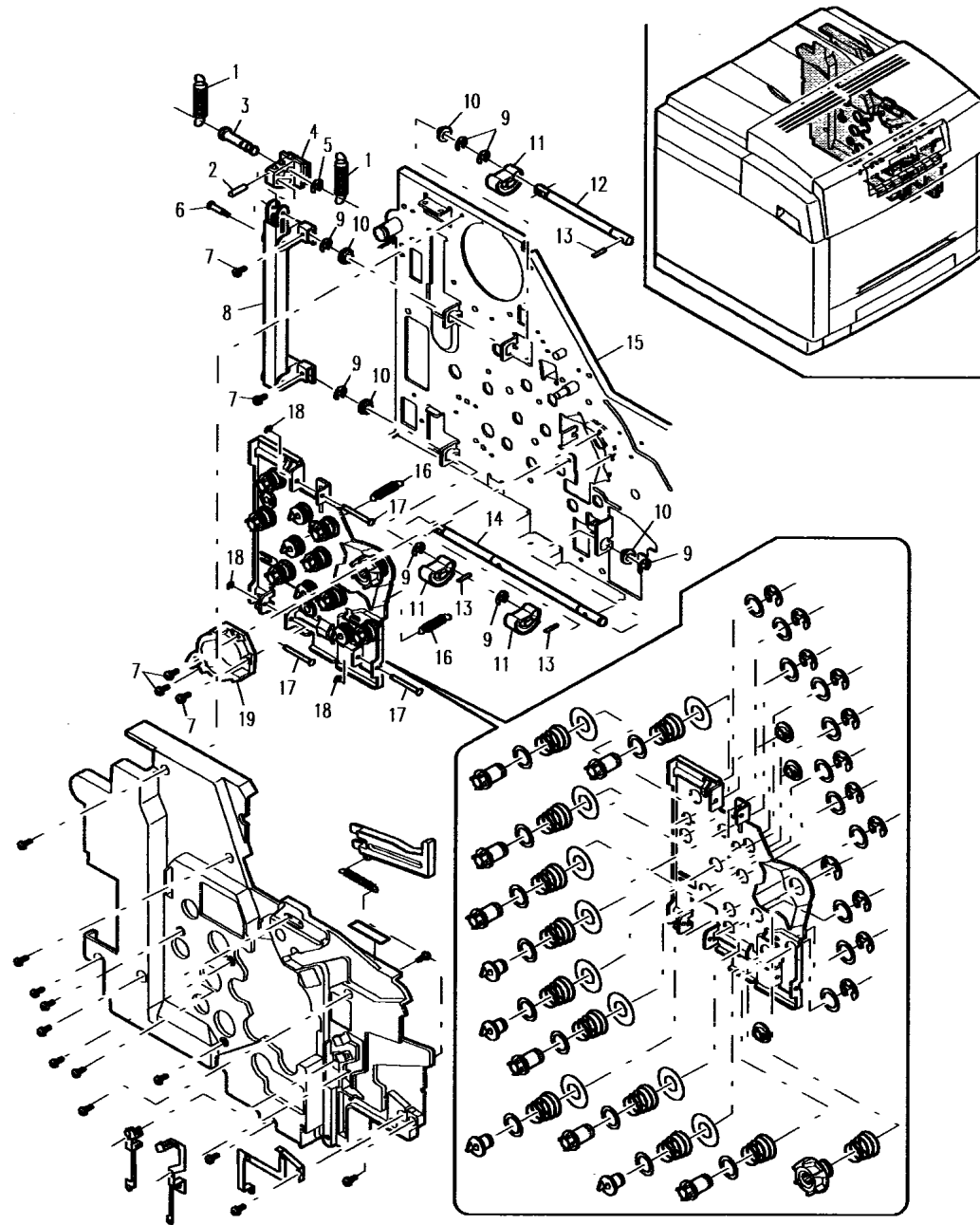
ITEM	PART	DESCRIPTION
1	NOT SPARED	RIGHT SIDE FRAME
2	NOT SPARED	DRIVES FRAME
3	NOT SPARED	RETAINING RING
4	13E12550	CLUTCH BEARING
5	NOT SPARED	RETAINING RING
6	7E48310	CLUTCH GEAR
7	809E1740	CLUTCH SPRING
8	16E12450	CLUTCH SLEEVE
9	8E5720	CLUTCH BOSS
10	7E48330	GEAR
11	809E1770	SPRING
12	16E12460	SLEEVE
13	7E48320	GEAR
14	NOT SPARED	SCREW
15	6E61580	SHAFT
16	121E13390	MAGNETIC CLUTCH (Y) (REP 5.2)
17	6E61650	SHAFT
18	121E13410	MAGNETIC CLUTCH (M) (REP 5.2)
19	121E13420	MAGNETIC CLUTCH (C) (REP 5.2)
20	6E61570	SHAFT
21	121E13430	MAGNETIC CLUTCH (K) (REP 5.2)
22	6E61640	SHAFT
23	6E61590	SHAFT
24	13E12510	BEARING
25	6E61560	SHUTTER SHAFT
26	NOT SPARED	SCREW
27	REFERENCE ONLY	TONER CLUTCH ASSY (C) (M) (Y) (REP 5.1)
28	REFERENCE ONLY	MAG ROLL CLEANER CLUTCH (REP 5.1)

PL 6.1 DRIVE COVER ASSEMBLY



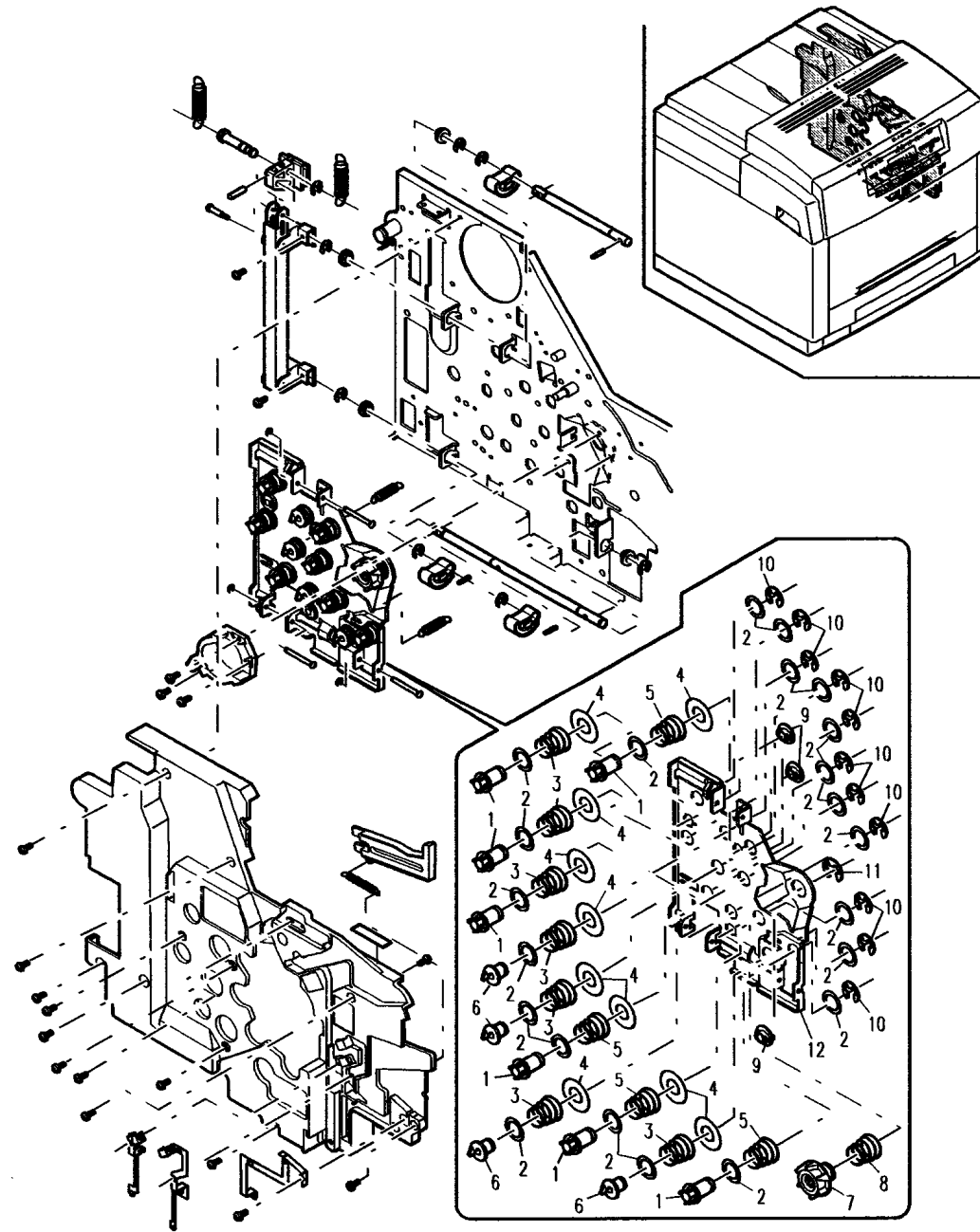
ITEM	PART	DESCRIPTION
1	NOT SPARED	DRIVE COVER ASSEMBLY
2	32E11510	DRIVE COVER
3	NOT SPARED	SCREW
4	NOT SPARED	SCREW
5	116E7400	BIAS TERMINAL (REP 6.1)
6	116E7390	CHARGE TERMINAL (REP 6.1)
7	(P/O ITEM 1)	SCREW
8	116E7380	TRANS DRUM TERMINAL (REP 6.1)
9	809E1840	SPRING
10	11E7380	PHOTORECEPTOR LEVER

PL 6.2 SLIDE CAM ASSEMBLY, INNER DRIVE FRAME



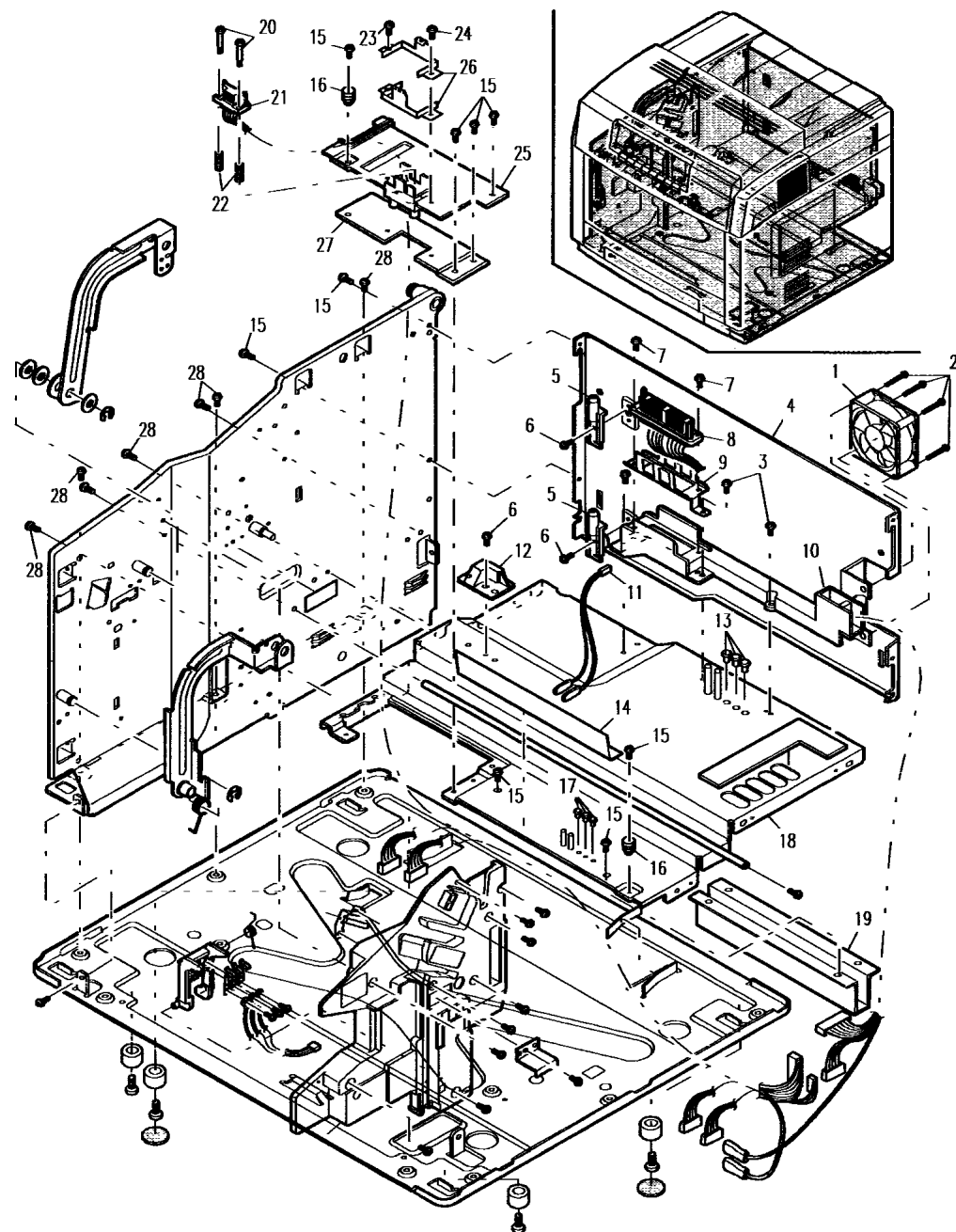
ITEM	PART	DESCRIPTION
1	809E1670	SLIDE SPRING
2	29E27460	PIN
3	29E27450	LINK STUD
4	15E59930	LINK PLATE
5	NOT SPARED	RETAINING RING
6	NOT SPARED	SCREW
7	NOT SPARED	SCREW
8	12E8400	LINK
9	NOT SPARED	RETAINING RING
10	NOT SPARED	BEARING
11	8E5730	SLIDE CAM (REP 6.2)
12	6E61600	UPPER SLIDE SHAFT
13	NOT SPARED	PIN
14	6E61610	LOWER SLIDE SHAFT
15	NOT SPARED	RIGHT SIDE FRAME
16	809E1810	RETURN SPRING
17	29E27500	LINK SHAFT
18	NOT SPARED	RETAINING RING
19	32E11450	GUIDE

PL 6.3 INNER DRIVE FRAME COMPONENTS



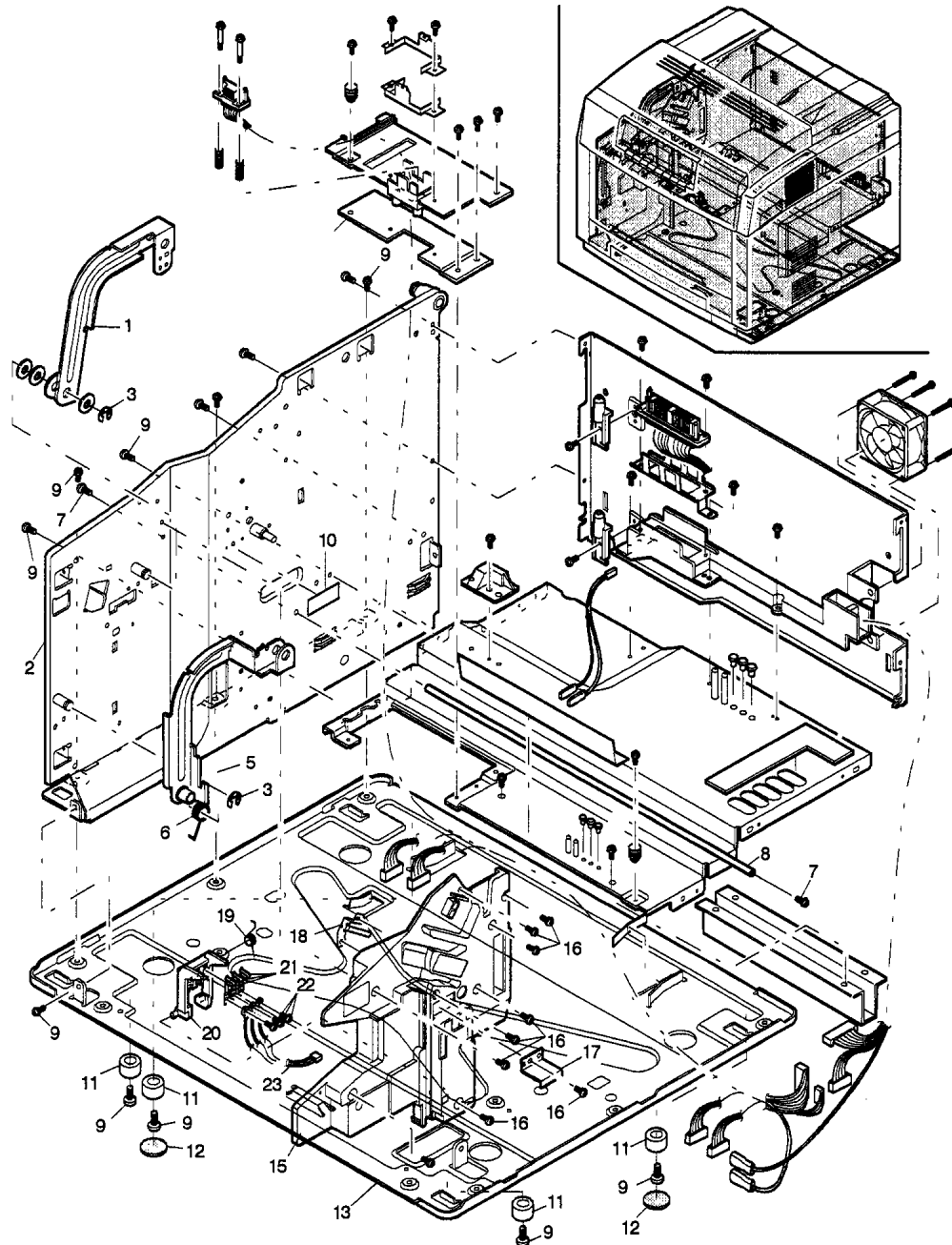
ITEM	PART	DESCRIPTION
1	5E12200	DRIVE DOG (C) (M) (Y)
2	28E12160	WASHER
3	809E2030	CAM SPRING
4	28E12170	WASHER
5	809E5600	SPRING
6	8E5750	CAM
7	5E12210	DRIVE DOG (K)
8	809E5610	SPRING
9	13E13380	BEARING
10	NOT SPARED	RETAINING RING
11	NOT SPARED	RETAINING RING
12	15E64310	FRAME SIDE PLATE

PL 7.1 DEVELOPER CONNECTORS, BRACKET



ITEM	PART	DESCRIPTION
1	NOT SPARED	FAN
2	NOT SPARED	SCREW (M3X30)
3	NOT SPARED	SCREW (M3X6)
4	NOT SPARED	PLATE
5	3E42100	TONER HINGE (K)
6	NOT SPARED	SCREW (M3X8)
7	NOT SPARED	SCREW (M3X10)
8	162K29330	HARNESS
9	116E7360	GROUND CLIP
10	32E11460	CONNECTOR BRACKET
11	162K35590	HARNESS
12	17E8360	STOPPER
13	NOT SPARED	NYLON RIVET
14	118E13770	PROTECTOR SHEET
15	NOT SPARED	SCREW (M3X8)
16	809E1970	SPRING (K)
17	NOT SPARED	RIVET
18	NOT SPARED	SUPPORT PLATE
19	NOT SPARED	HARNESS GUIDE
20	NOT SPARED	SCREW
21	162K29300	HARNESS
22	809E5620	SLIDE SPRING
23	NOT SPARED	SCREW (M3X6)
24	NOT SPARED	SCREW (M3X10)
25	32E11470	HARNESS PLATE
26	116E7350	GROUND CLIP
27	15E64350	SUPPORT PLATE
28	NOT SPARED	SCREW (M4X6)

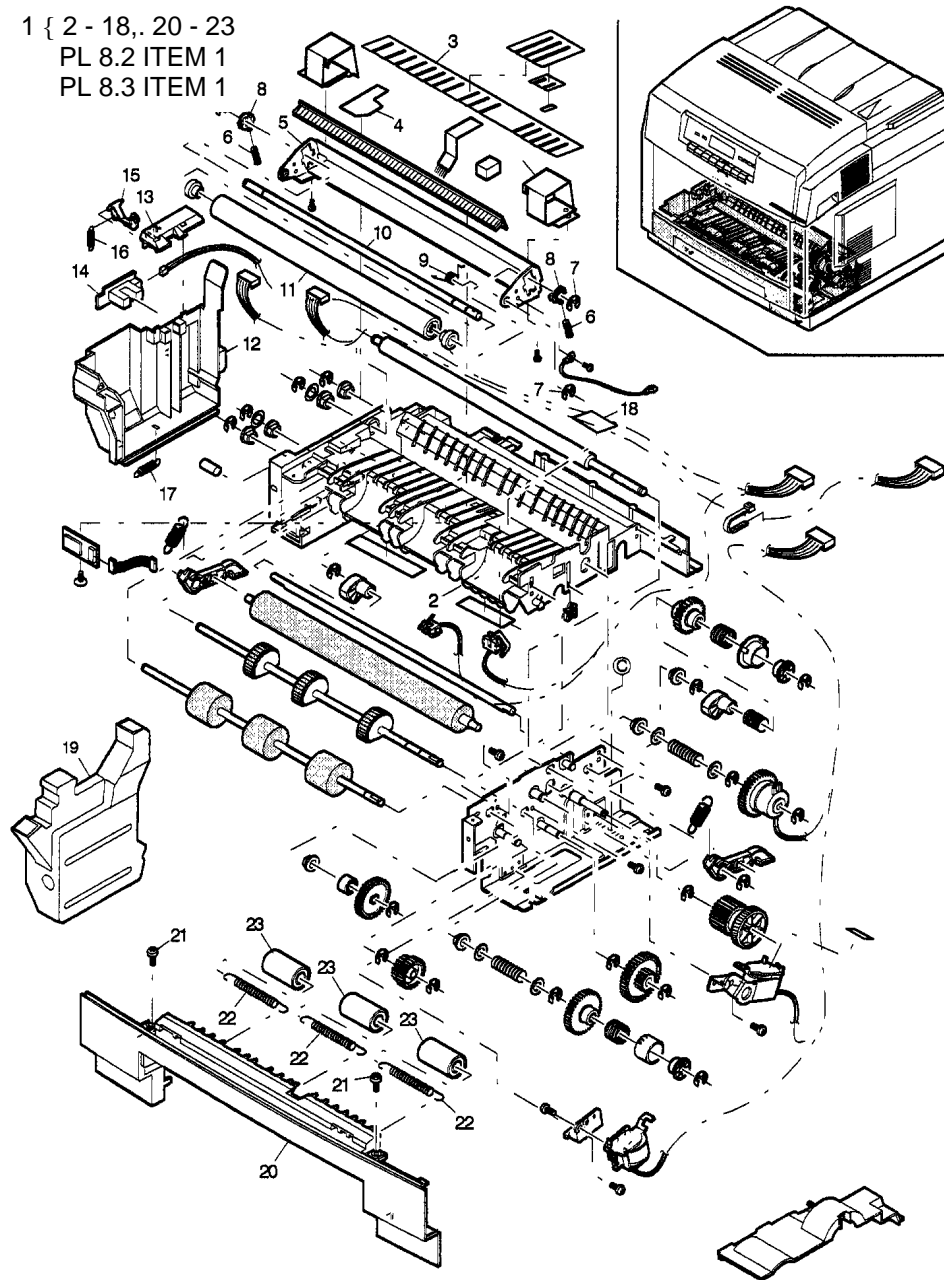
PL 7.2 PRINT DRUM CONNECTORS, BRACKETS



ITEM	PART	DESCRIPTION
1	12E8410	UPPER LINK
2	NOT SPARED	LEFT SIDE FRAME
3	NOT SPARED	RETAINING RING (7MM)
4	NA	
5	12E8420	LOWER LINK
6	NOT SPARED	LOWER LINK SPRING
7	NOT SPARED	SCREW
8	NOT SPARED	TIE ROD
9	NOT SPARED	SCREW (M4X6)
10	118E13750	INSULATOR SHEET
11	17E8350	FOOT
12	19E37480	PAD
13	NOT SPARED	BASE PLATE
14	NA	
15	32E11480	LEFT GUIDE
16	(PO ITEM 14)	SCREW (M3X6)
17	(PO ITEM 14)	EARTH PLATE
18	15E59940	GROUND SPRING
19	809E1730	DETECT SPRING
20	11E7360	PHOTORECEPTOR DETECT LEVER
21	116E7370	DETECT SPRING CLIP
22	(PO ITEM 14)	SCREW (M3X6)
23	162K35620	HARNES

PL 8.1 PAPER FEED ASSEMBLY: PART 1 OF 3

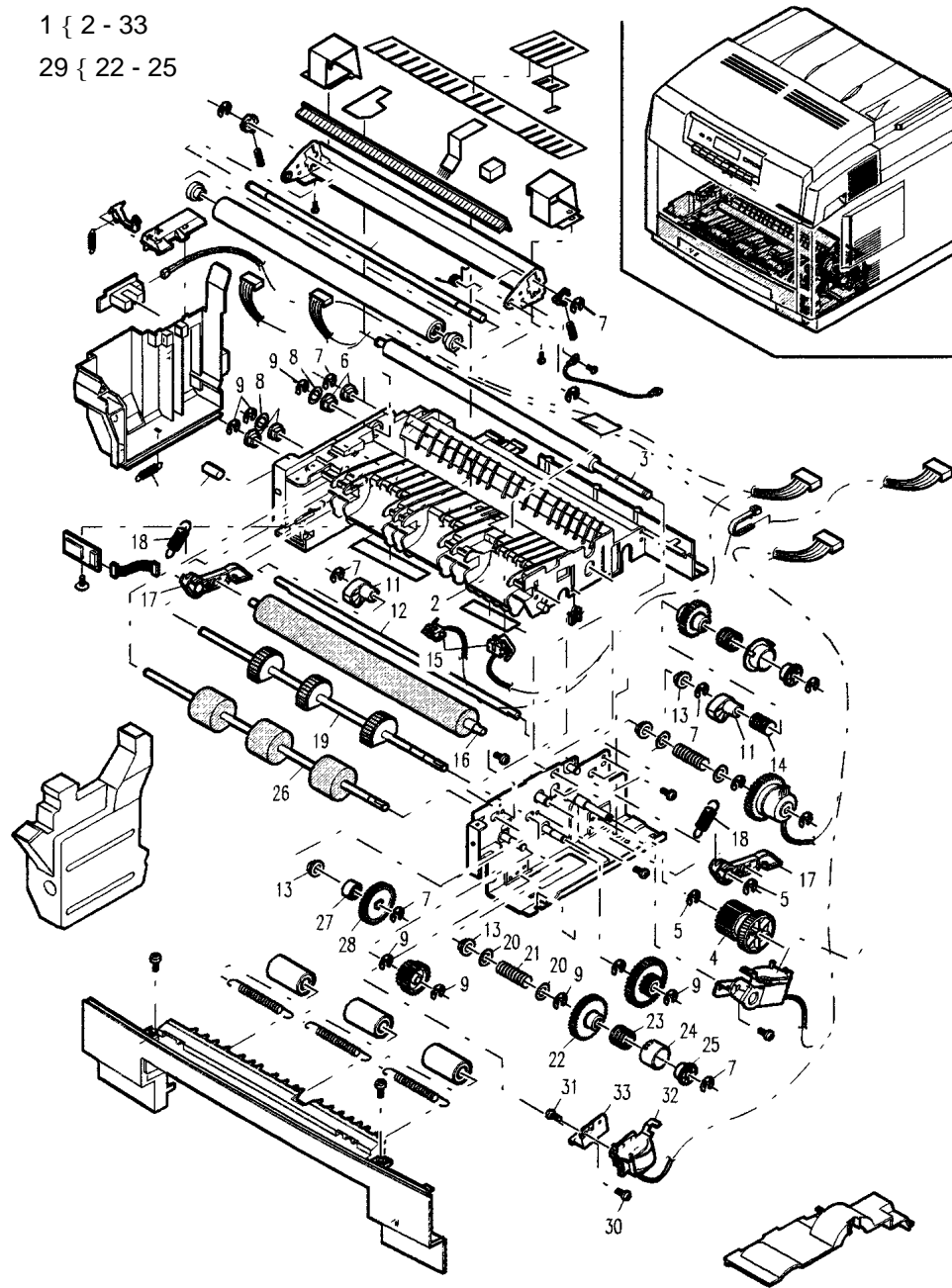
1 { 2 - 18, 20 - 23
 PL 8.2 ITEM 1
 PL 8.3 ITEM 1



ITEM	PART	DESCRIPTION
1	22K53880	PAPER FEED ASSEMBLY (REP 8.2)
2	(P/O ITEM 1)	LOWER GUIDE
3	55E38931	LOWER SHEET
4	118E13780	LOWER GUIDE SHEET
5	1E46940	GUIDE
6	809E1760	SPRING
7	(P/O ITEM 1)	RETAINING RING (5MM)
8	13E13370	BEARING
9	809E5640	GUIDE SPRING
10	6E61510	ROLLER SHAFT
11	22E20990	GROUNDING ROLLER
12	600K65260	TONER SLIDE BOX ASSY
13	(P/O ITEM 12)	SENSOR COVER
14	(P/O ITEM 12)	SENSOR
15	(P/O ITEM 12)	WASTE TONER ARM
16	(P/O ITEM 12)	WASTE TONER SPRING
17	809E1720	SLIDE SPRING
18	118E13760	INSULATOR
19	8R7748	TONER BOTTLE CUST PURCHASE ITEM
20	38E17380	PAPER GUIDE (REP 8.1)
21	(P/O ITEM 1)	SCREW (M3X8)
22	809E2000	SPRING
23	22E21030	ROLLER

PL 8.2 PAPER FEED ASSEMBLY: PART 2 OF 3

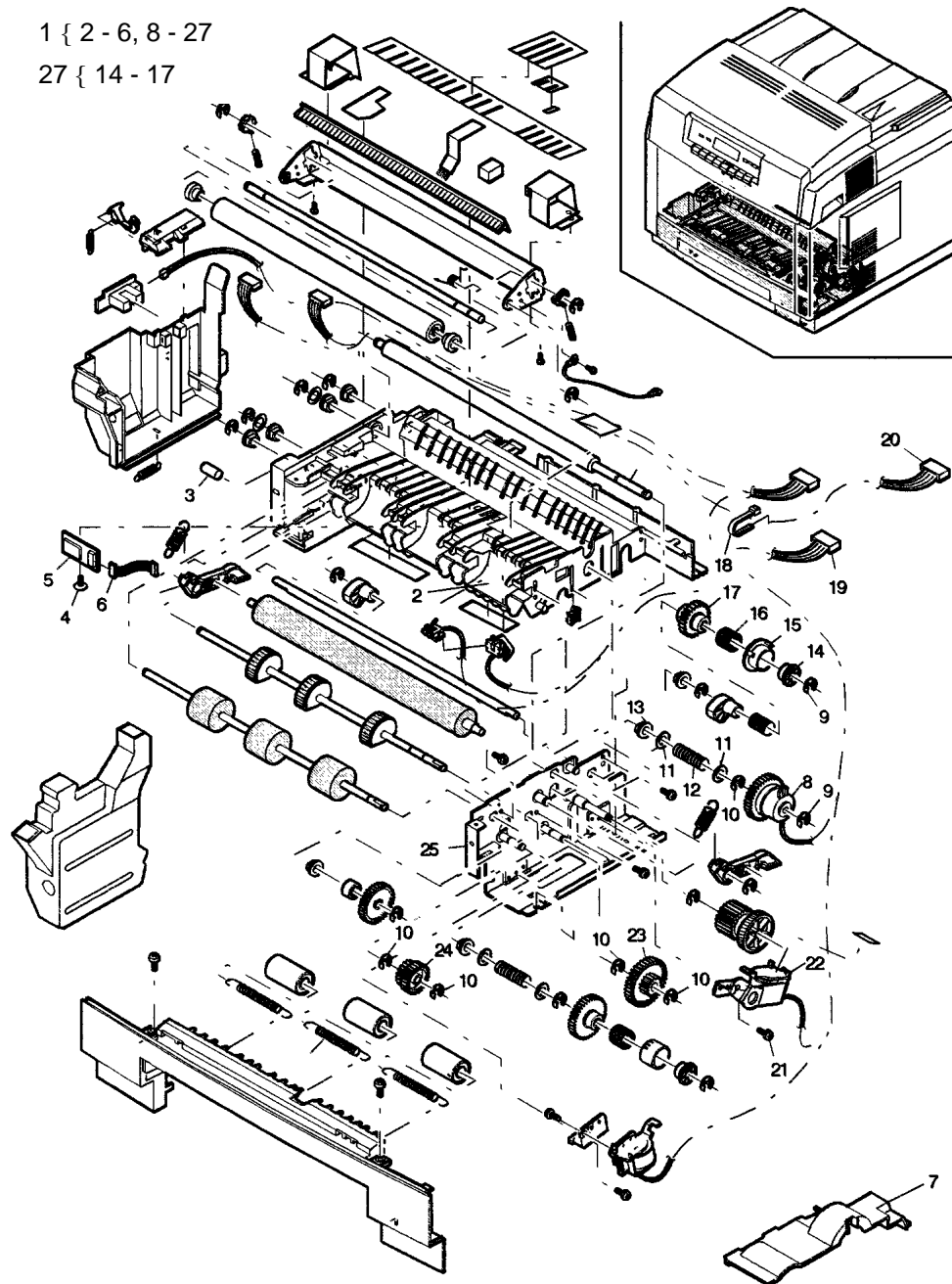
1 { 2 - 33
29 { 22 - 25



ITEM	PART	DESCRIPTION
1	REF:PL8.1, ITEM 1	PART OF PAPER FEED ASSEMBLY
2	(P/O ITEM 1)	LOWER GUIDE
3	(P/O ITEM 1)	UPPER REGISTRATION ROLLER
4	7E48530	GEAR
5	(P/O ITEM 1)	RETAINING RING (7MM)
6	(P/O ITEM 1)	BUSHING
7	(P/O ITEM 1)	RETAINING RING (4MM)
8	(P/O ITEM 1)	WASHER
9	(P/O ITEM 1)	RETAINING RING (5MM)
10	NA	
11	8E5740	CAM
12	6E61530	CAM SHAFT
13	13E12570	BUSHING
14	809E2140	CAM SPRING
15	130E8000	REGISTRATION / PAPER TRAY
		OUT SENSOR (REP 8.3,8.4)
16	22E21000	LOWER REGISTRATION ROLLER (REP 8.11)
17	11E7390	REGISTRATION LEVER
18	809E1860	REGISTRATION SPRING
19	22E21010	FEED ROLLER (REP 8.12)
20	(P/O ITEM 1)	WASHER
21	809E2050	SPRING
22	7E48510	GEAR
23	809E2080	SPRING
24	16E12470	SLEEVE
25	8E5720	CLUTCH BOSS (P/O ITEM 1)
26	22E21020	PAPER DRIVE ROLLER (REP 8.8)
27	5E12180	ONE WAY CLUTCH
28	7E48500	GEAR
29	REF ONLY	FEED CLUTCH ASSEMBLY (REP 8.5)
30	(P/O ITEM 1)	SCREW (M3X6)
31	(P/O ITEM 1)	SCREW (M4X8)
32	121E13450	FEED SOLENOID (REP 8.5)
33	(P/O ITEM 1)	SOLENOID BRACKET

PL 8.3 PAPER FEED ASSEMBLY: PART 3 OF 3

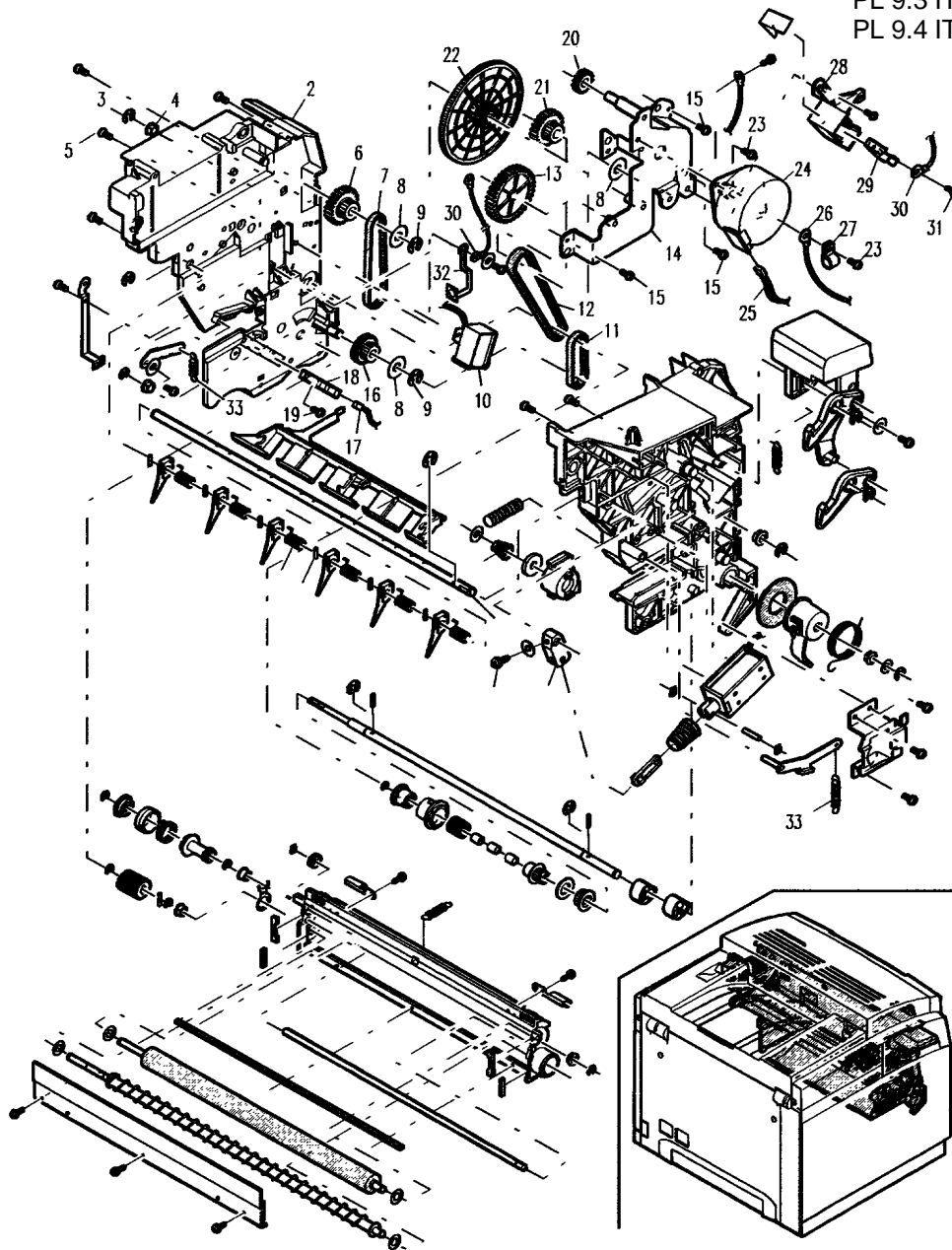
1 { 2 - 6, 8 - 27
27 { 14 - 17



ITEM	PART	DESCRIPTION
1	REF: PL8.1 ITEM 1	PART OF PAPER FEED ASSEMBLY
2	(P/O ITEM 1)	LOWER GUIDE
3	(P/O ITEM 1)	PIVOT STUD
4	(P/O ITEM 1)	SCREW (M3X8)
5	(P/O ITEM 1)	TEMP/HUMIDITY SENSOR
6	162K35660	SENSOR HARNESS
7	55E37750	CLUTCH COVER
8	121E13470 (P/O ITEM 1)	REGISTRATION CLUTCH (REP 8.6)
9	(P/O ITEM 1)	RETAINING RING (4MM)
10	(P/O ITEM 1)	RETAINING RING (5MM)
11	(P/O ITEM 1)	WASHER
12	809E2120	CLUTCH SPRING
13	13E12570	BUSHING
14	(P/O ITEM 1)	CLUTCH BOSS
15	16E12490	SLEEVE
16	809E2150	SPRING
17	7E48570	GEAR
18	(P/O ITEM 1)	CABLE TIE
19	(P/O ITEM 1)	CONNECTOR
20	162K35640	VIDEO HARNESS
21	(P/O ITEM 1)	SCREW (M3X8)
22	121E13460	GROUNDING ROLL SOLENOID
23	7E48520	GEAR
24	7E48490	GEAR
25	(P/O ITEM 1)	SIDE PLATE
26	NA	
27	(P/O ITEM 1)	GRND ROLL CLUTCH (REF ONLY) (REP 8.7)

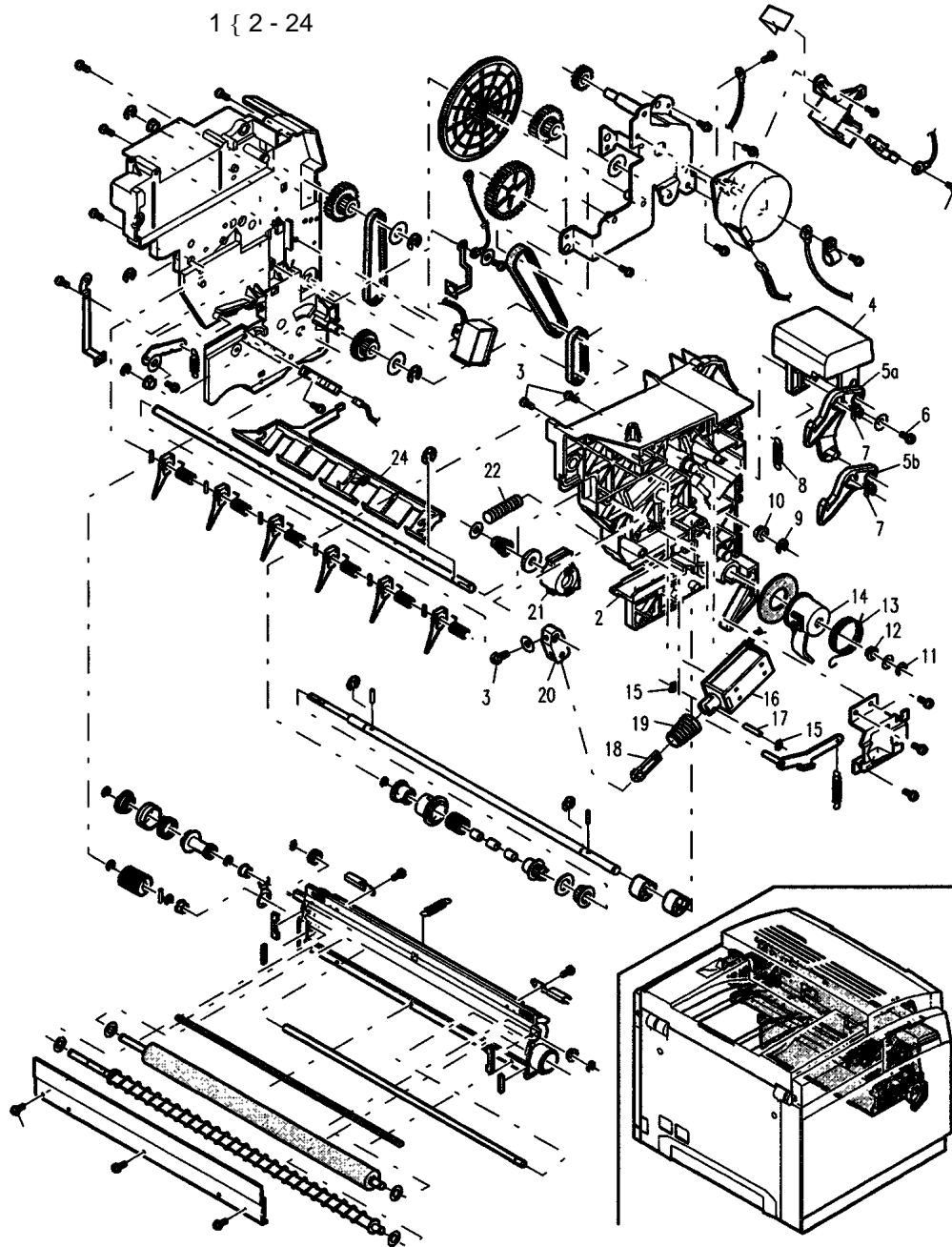
PL 9.1 FUSER, TD CLEANER DRIVES

1 { 2 - 33
 PL 9.2 ITEM 1
 PL 9.3 ITEM 1
 PL 9.4 ITEM 1



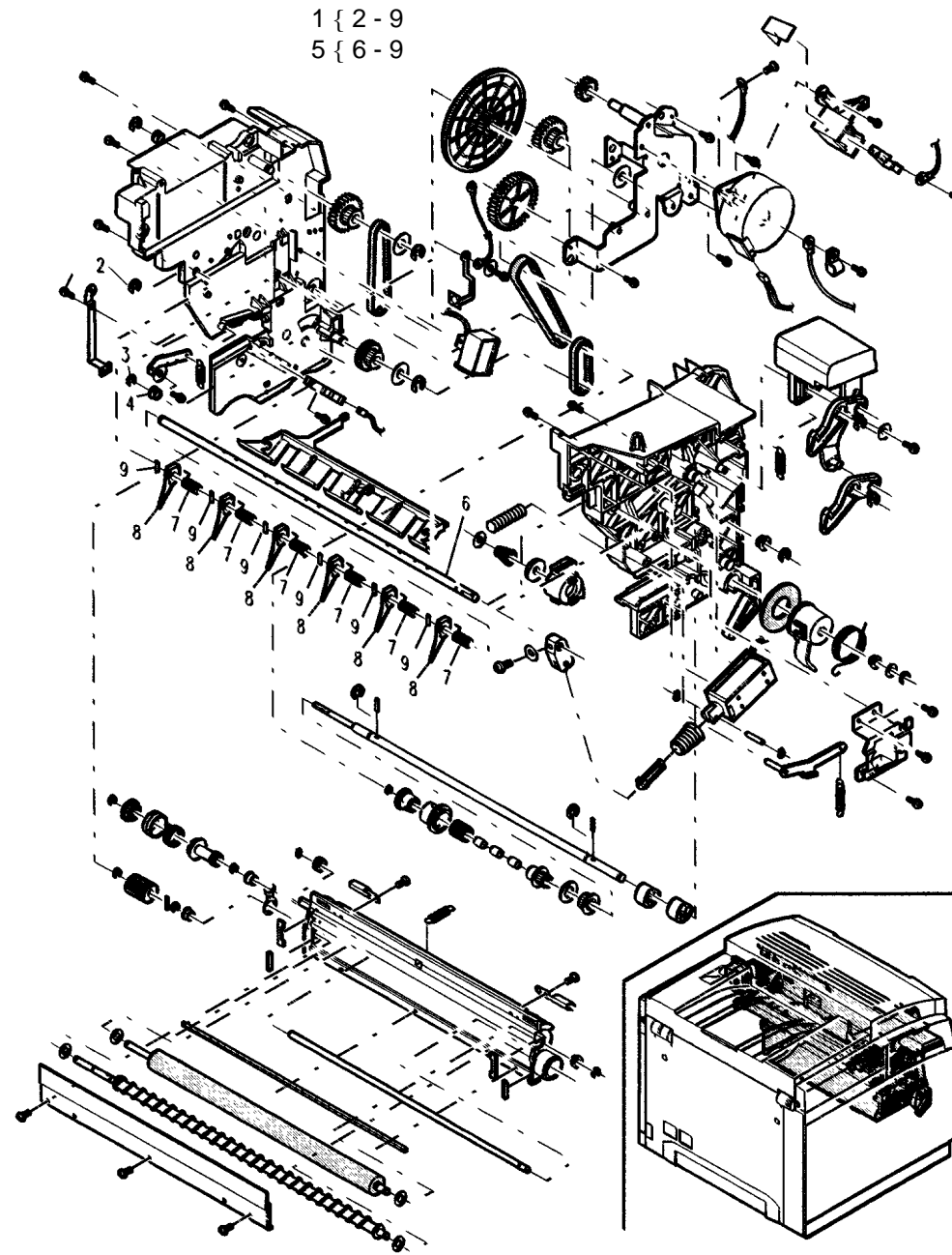
ITEM	PART	DESCRIPTION
1	22K53890	TRANSFER FRAME ASSEMBLY
2	1E43740	RIGHT TRANSFER FRAME
3	(P/O ITEM 1)	RETAINING RING (2MM)
4	13E13360	BEARING
5	(P/O ITEM 1)	SCREW (M3X6)
6	7E48280	GEAR
7	23E14880	TRANSFER BELT
8	28E12140	WASHER
9	(P/O ITEM 1)	RETAINING RING (5MM)
10	121E13400	TR DRUM CLEANING SOLENOID (REP 9.2)
11	23E14910	BELT B
12	23E14900	BELT A
13	7E48380	FUSER IDLER GEAR
14	15E64300	FUSER MOTOR PLATE
15	(P/O ITEM 1)	SCREW (M3X8)
16	7E48340	IDLER GEAR
17	162K35580	HARNESS
18	130E7970	TR DRUM HOME POSITION SENSOR
19	(P/O ITEM 1)	SCREW (M3X14)
20	7E48360	IDLER GEAR
21	7E48370	CLEANER GEAR
22	7E48350	FUSER GEAR
23	(P/O ITEM 1)	SCREW (M4X6)
24	127E10910	FUSER MOTOR
25	162K29320	FUSER HARNESS
26	162K35630	HARNESS
27	(P/O ITEM 1)	CABLE CLAMP
28	49E84450	BRACKET
29	115E5840	CONTACT
30	162K35710	HARNESS
31	(P/O ITEM 1)	SCREW (M3X6)
32	115E5850	CONTACT
33	809E5770	SPRING

PL 9.2 TRANSFER FRAME (LEFT)



ITEM	PART	DESCRIPTION
1	REF: PL9.1, ITEM 1	PART OF TRANSFER FRAME ASSEMBLY
2	1E43760	LEFT TRANSFER FRAME
3	(P/O ITEM 1)	SCREW (M3X6)
4	12E8150	LEFT RELEASE LINK
5A	7E48440	LOCK PAWL UPPER
5B	7E63600	LOCK PAWL LOWER
6	(P/O ITEM 1)	SCREW (M3X6)
7	(P/O ITEM 1)	RETAINING RING (7MM)
8	809E5680	TRANSPORT LOCK SPRING
9	(P/O ITEM 1)	RETAINING RING (2MM)
10	(P/O ITEM 1)	BUSHING
11	(P/O ITEM 1)	RETAINING RING (4MM)
12	13E12520	BEARING
13	809E2020	WASTE SPRING
14	55E37740	WASTE SHUTTER
15	(P/O ITEM 1)	RETAINING RING
16	121E13440	STRIPPER SOLENOID
17	29E27470	PIN
18	31E8360	STRIPPER LINK
19	809E2040	STRIPPER SOL SPRING
20	31E8370	STRIPPER ARM
21	13E12590	LEFT DRUM BEARING
22	809E2060	TR DRUM SPRING
23	NA	
24	120E15810	ACTUATOR

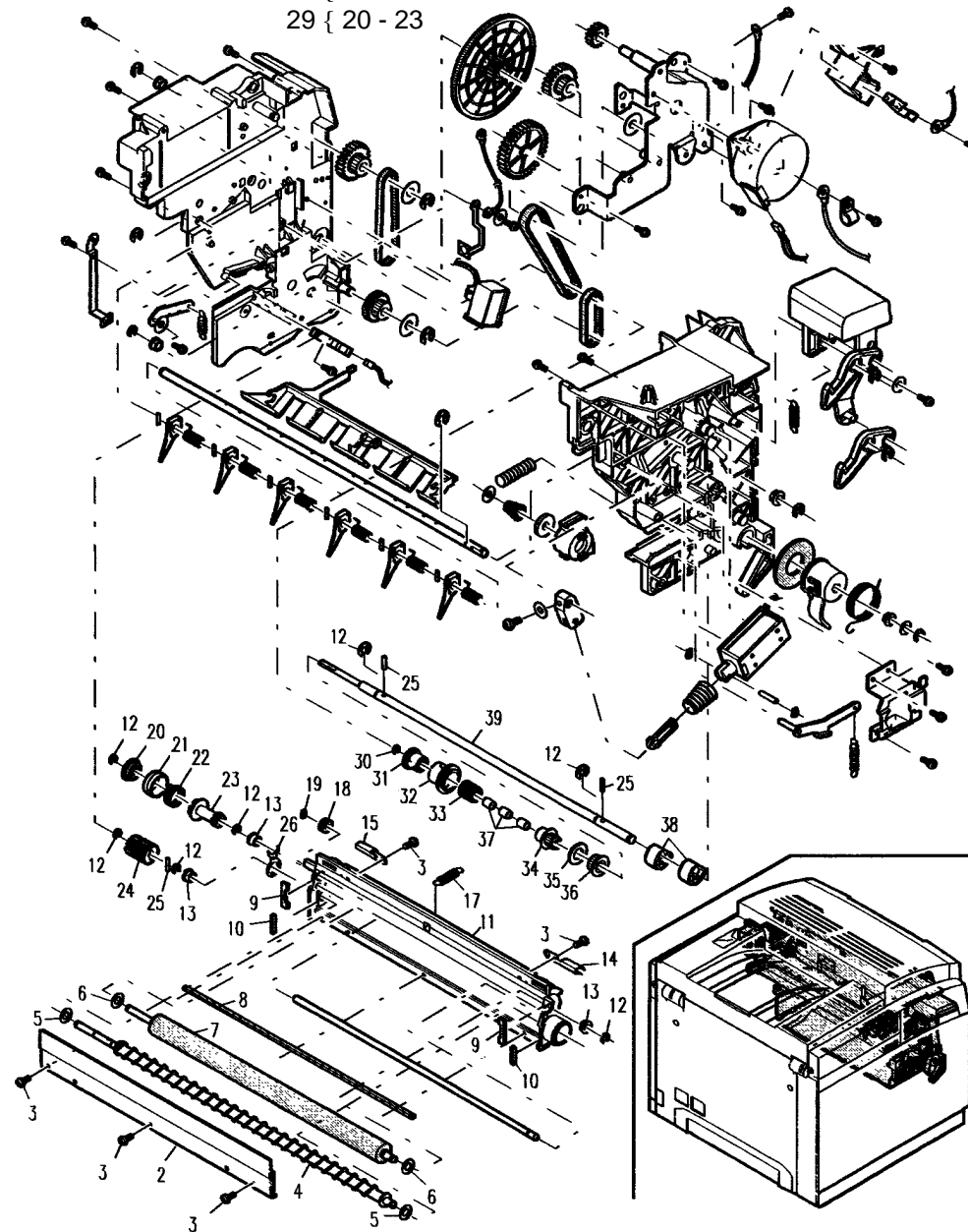
PL 9.3 STRIPPER FINGERS



ITEM	PART	DESCRIPTION
1	REF: PL9.1, ITEM 1	PART OF TRANSFER FRAME ASSEMBLY
2	(P/O ITEM 1)	RETAINING RING (7MM)
3	(P/O ITEM 1)	RETAINING RING (4MM)
4	13E12520	BEARING
5	19K4100	STRIPPER FINGER ASSY (REP 9.1)
6	6E61550	SHAFT
7	809E2100	STRIPPER FINGER SPRING
8	19E36010	STRIPPER FINGER
9	29E27440	STRIPPER FINGER PIN

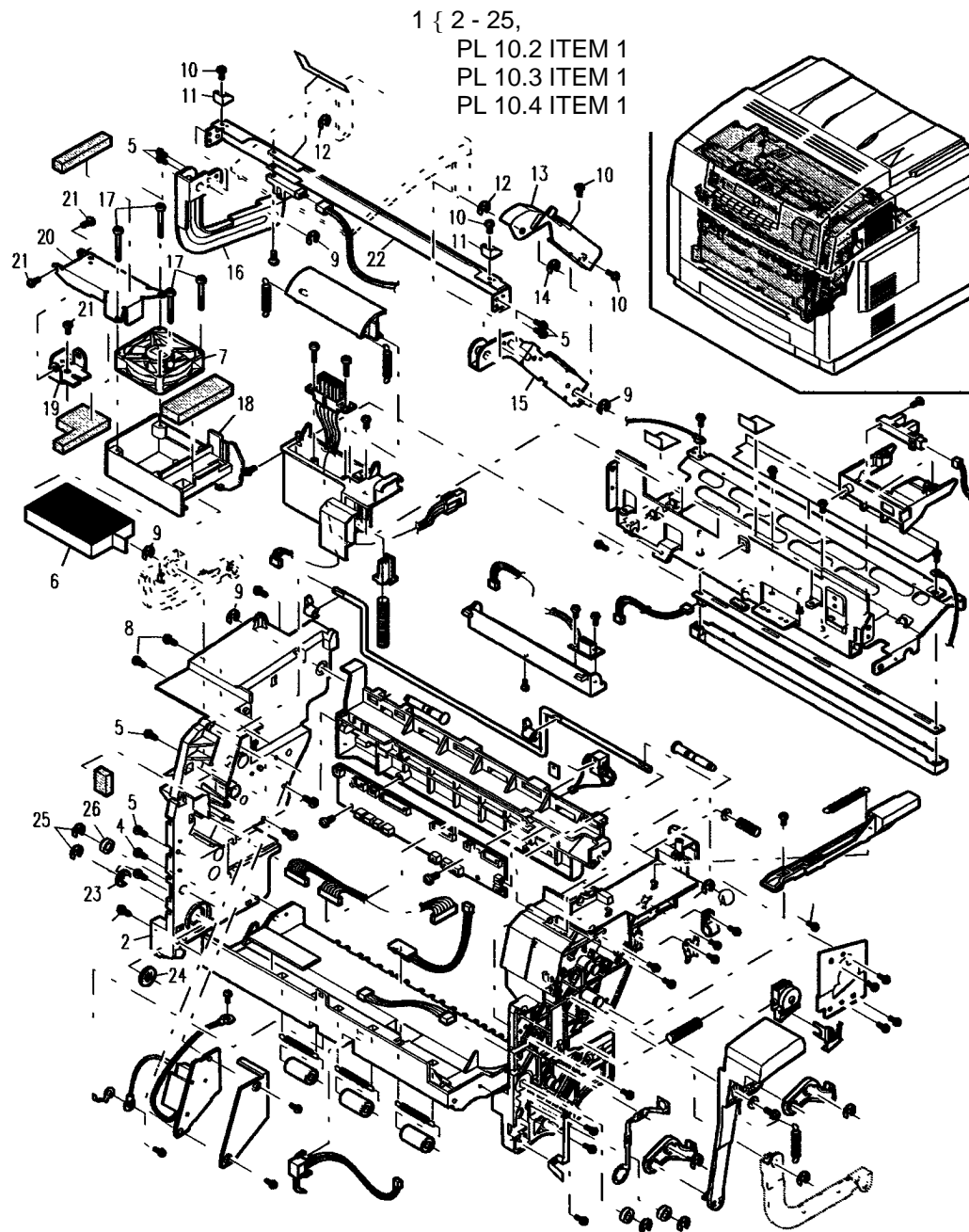
PL 9.4 TRANSFER DRUM CLEANER, CLUTCH AND SHAFT

- 1 { 2 - 39
- 27 { 12, 25, 30 - 39
- 28 { 2 - 26
- 29 { 20 - 23



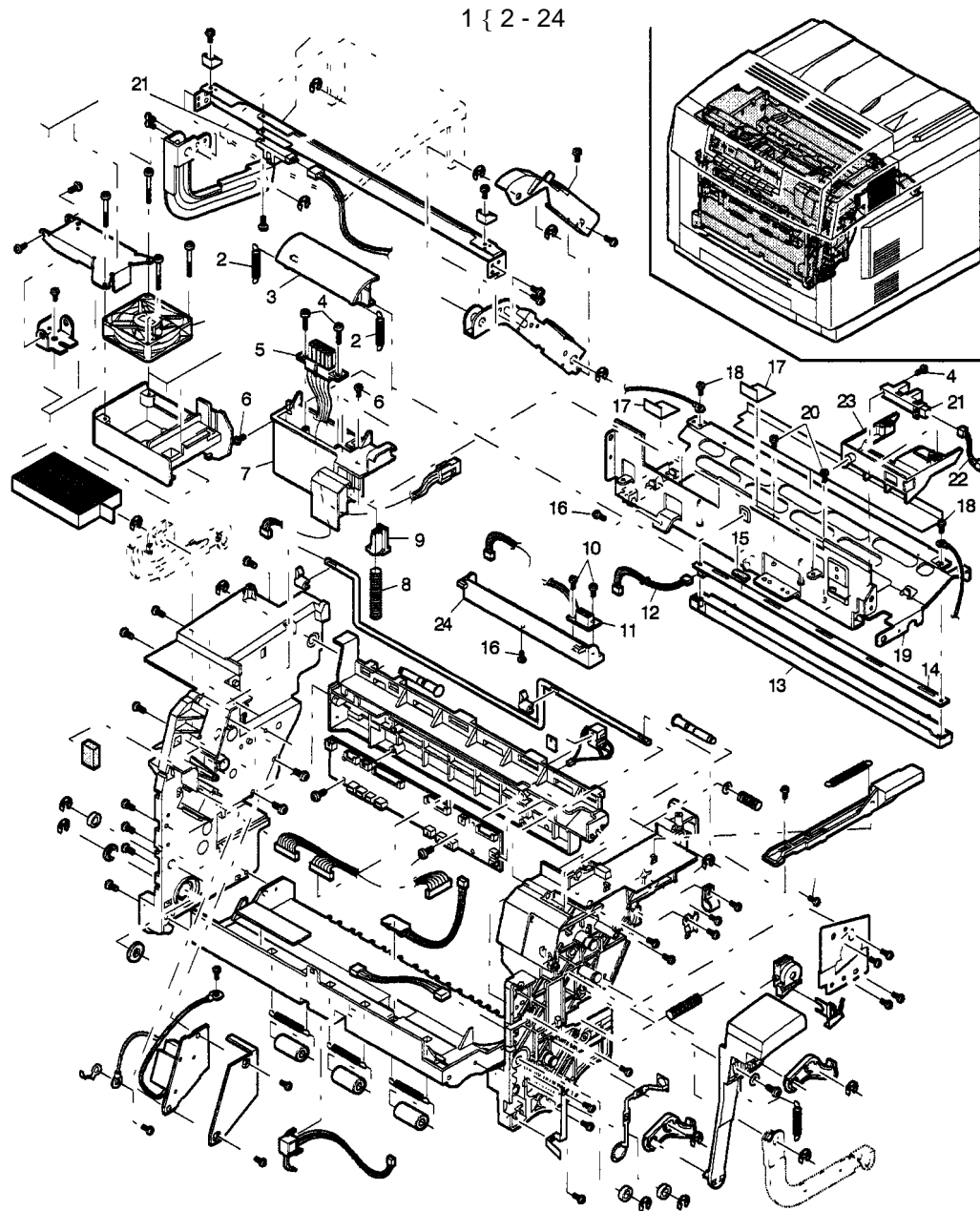
ITEM	PART	DESCRIPTION
1	REF: PL9.1, ITEM 1	PART OF TRANSFER FRAME ASSEMBLY
2	15E59970	TD CLEANING BLADE (REP 9.6)
3	(P/O ITEM 28)	SCREW (M3X6)
4	26E60290	AUGER
5	35E43370	SEAL
6	35E41720	CLEANER BRUSH SEAL (REP 9.7)TD CLEANING
7	42E1390	BRUSH
8	35E41710	CLEANER BLADE SEAL
9	35E41690	SEAL
10	35E41700	SEAL
11	48E53750	CLEANER CASE
12	(P/O ITEM 1)	RETAINING RING (4MM)
13	13E12520	BEARING
14	809E2190	LEFT SPRING
15	809E2200	RIGHT SPRING
16	NOT SHOWN	SHEET
17	809E2180	CLEANER SPRING
18	7E48580	IDLER GEAR
19	(P/O ITEM 28)	RETAINING RING
20	8E5780	CLEANER BOSS
21	16E12500	CLEANER SLEEVE
22	809E2210	CLEANER SPRING
23	7E48590	CLEANER GEAR
24	7E48600	AUGER GEAR
25	29E25290	PIN
26	15E59960	GROUND PLATE
27	5K4960	TD CLEANER CLUTCH ASSY (REP 9.3)
28	600K71720	TD CLEANER ASSY C55 (REP 9.4)
	600K75290	TD CLEANER ASSY NC60 (REP 9.4)
29	(P/O ITEM 28)	TD CLEANER BRUSH CLUTCH
30	(P/O ITEM 28)	RETAINING RING (2MM)
31	(P/O ITEM 27)	CLUTCH BOSS
32	(P/O ITEM 27)	CLUTCH SLEEVE
33	(P/O ITEM 27)	CLUTCH SPRING
34	(P/O ITEM 27)	GEAR
35	(P/O ITEM 27)	WASHER
36	(P/O ITEM 27)	GEAR
37	(P/O ITEM 27)	BEARING
38	(P/O ITEM 27)	CAM
39	(P/O ITEM 27)	CAMSHAFT

PL 10.1 TRANSFER FRAME LEFT SIDE COMPONENTS



ITEM	PART	DESCRIPTION
1	22K53890	TRANSFER FRAME ASSEMBLY (SAME AS PL9.1 ITEM 1)
2	1E43760	LEFT FRAME
3	(P/O ITEM 1)	SCREW (M3X10)
4	(P/O ITEM 1)	SCREW (M3X6)
5	(P/O ITEM 1)	SCREW (M3X8)
6	53E5390	OZONE FILTER
7	127E10930	FUSER FAN
8	(P/O ITEM 1)	SCREW (M3X8)
9	(P/O ITEM 1)	RETAINING RING (7MM)
10	(P/O ITEM 1)	SCREW (M3X6)
11	14E32670	LOCK BLOCK
12	(P/O ITEM 1)	RETAINING RING (6MM)
13	101E13680	HARNESS COVER / INTERLOCK ACTUATOR
14	(P/O ITEM 1)	RETAINING RING (5MM)
15	(P/O ITEM 1)	RIGHT UPPER LINK
16	(P/O ITEM 1)	LEFT UPPER LINK
17	(P/O ITEM 1)	SCREW
18	15E64450	FAN HOUSING
19	(P/O ITEM 1)	BRACKET
20	120E15820	BRACKET
21	(P/O ITEM 1)	SCREW
22	49E84420	TRANSPORT LINK STAY
23	62E8750	SEAL
24	15E64440	SEAL
25	(P/O ITEM 1)	RETAINING RING
26	13E12570	BEARING

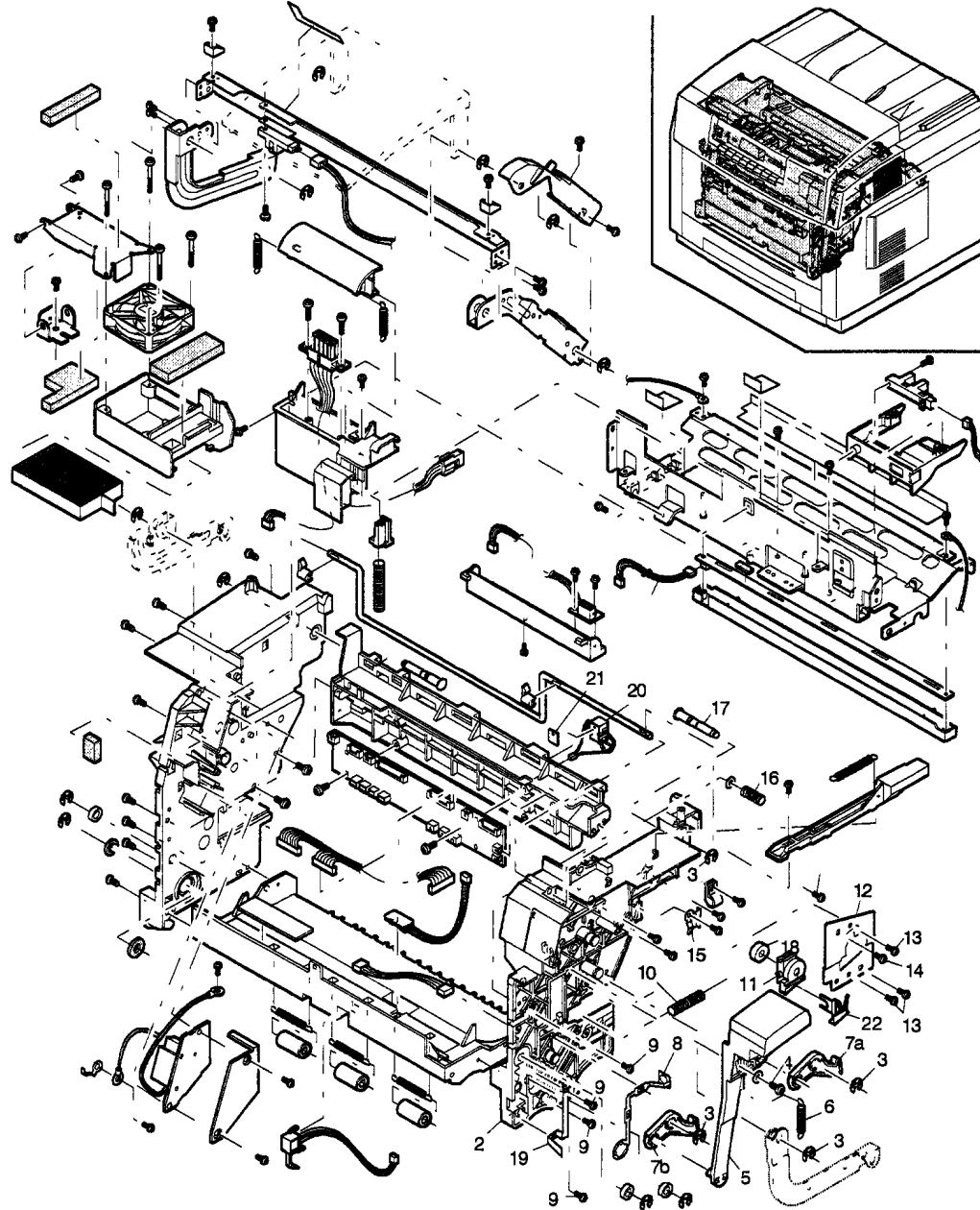
PL 10.2 TRANSFER FRAME UPPER COMPONENTS



ITEM	PART	DESCRIPTION
1	REF PL10.1, ITEM 1	PART OF TRANSFER FRAME ASSEMBLY
2	809E1830	SHUTTER SPRING A
3	55E37720	CONNECTOR SHUTTER
4	(P/O ITEM 1)	SCREW (M3X10)
5	162K29290	FUSER HARNESS
6	(P/O ITEM 1)	SCREW (M3X4)
7	49E71990	CONNECTOR BRACKET
8	809E1850	SHUTTER SPRING B
9	31E8350	FUSER ARM
10	(P/O ITEM 1)	SCREW (M3X6)
11	600K65270	GAMMA SENSOR KIT INCLUDES PL 10.4 ITEM 8
12	162K29310	ERASE HARNESS
13	48E43590	ERASE LAMP COVER
14	122E2170	ERASE LAMP
15	14E34360	LAMP SPACER
16	(P/O ITEM 1)	SCREW (M3X6)
17	55E38920	OIL PROTECT SHEET
18	(P/O ITEM 1)	SCREW (M3X8)
19	(P/O ITEM 1)	TRANSPORT FRAME
20	(P/O ITEM 1)	SCREW (M3X6)
21	130E7970	OIL SENSOR / TRANSPARENCY JAM SENSOR
22	162K35650	JAM SENSOR HARNESS
23	49E84400	DETECT LEVER PLATE
24	15E59950	GAMMA SENSOR PLATE

PL 10.3 TRANSFER FRAME RIGHT SIDE COMPONENTS

1 { 2 - 20

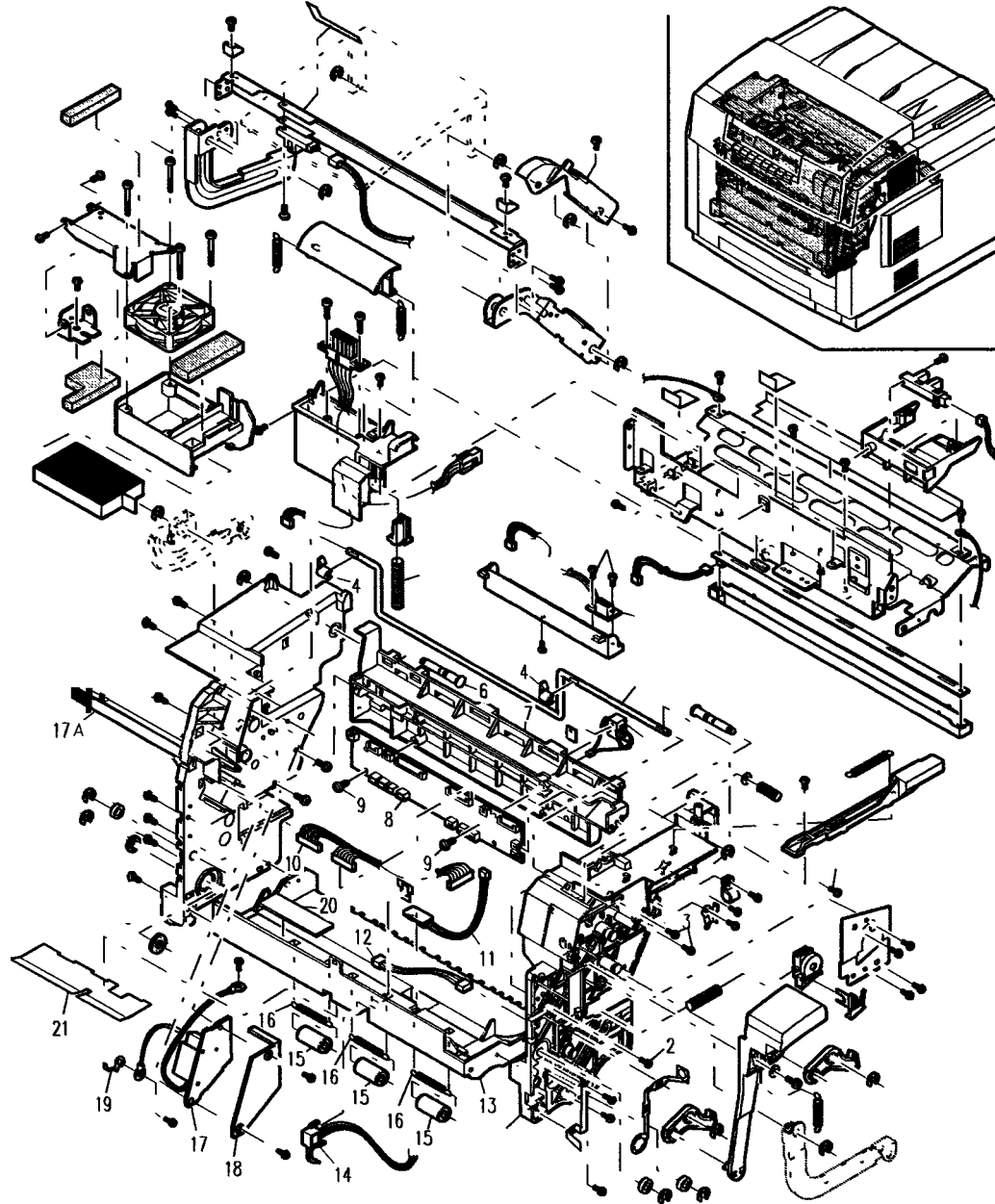


ITEM	PART	DESCRIPTION
1	REF PL10.1. ITEM 1	PART OF TRANSFER FRAME ASSEMBLY
2	(P/O ITEM 1)	RIGHT FRAME
3	(P/O ITEM 1)	RETAINING RING (7MM)
4	(P/O ITEM 1)	SCREW (M3X6)
5	12E8160	RIGHT RELEASE LINK
6	(P/O ITEM 1)	LOCK SPRING
7A	7E48440	RIGHT LOCK PAWL UPPER
7B	7E63600	RIGHT LOCK PAWL LOWER
8	115E5410	TRANSFER TERMINAL
9	(P/O ITEM 1)	SCREW (M3X10)
10	809E2060	TRANSFER DRUM SPRING
11	13E12580	RIGHT TRANSFER DRUM BEARING
12	(P/O ITEM 1)	COVER
13	(P/O ITEM 1)	SCREW
14	(P/O ITEM 1)	SCREW
15	(P/O ITEM 1)	EARTH PLATE
16	809E2010	LOCK SPRING
17	29E27480	PIN
18	13E13420	BEARING
19	809E5780	SPRING
20	110E9930	DRUM CLEANING JAM SWITCH
21	115E6900	DRUM CLEANING SWITCH RETAINER
22	115E6900	BEARING ELECTRODE

PL 10.4 TRANSFER FRAME COMPONENTS (FRONT)

1 { 2 - 21

22 { 11, 13 - 16, 20, 21

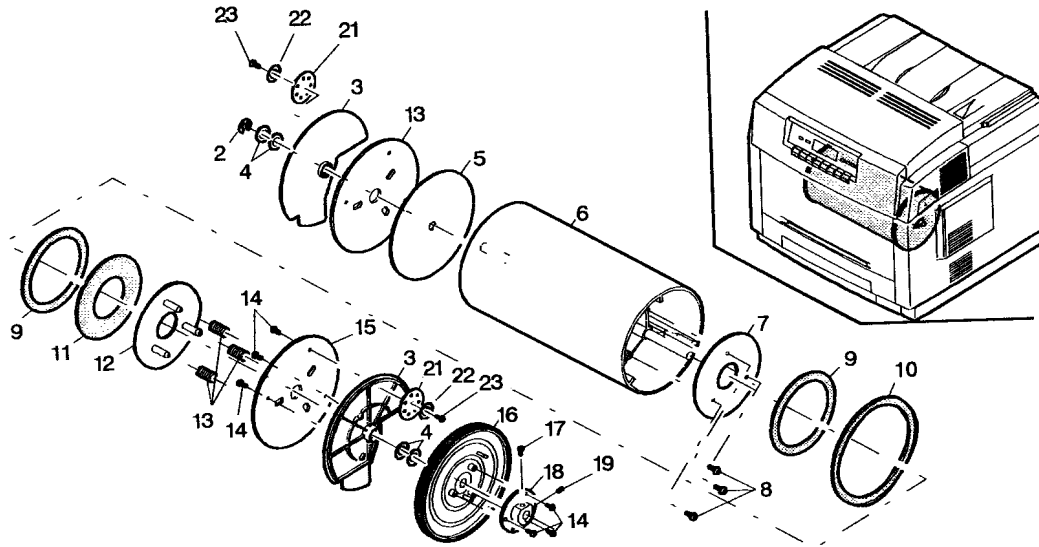


ITEM	PART	DESCRIPTION
1	REF PL10.1, ITEM 1	PART OF TRANSFER FRAME ASSEMBLY
2	(P/O ITEM 1)	SCREW (M3X10)
3	(P/O ITEM 1)	SCREW (M3X8)
4	7E48470	COVER PAWL
5	6E61630	LOCK SHAFT
6	29E27490	PIN
7	49E84430	PWB SUPPORT
8	PART OF 8A *	CONNECTOR PWB
8A	600K65270	GAMMA SENSOR REPAIR KIT
9	(P/O ITEM 1)	SCREW (M3X6)
10	162K29340	CONNECTOR PWB HARNESS
11	130E8010	TRANSPARENCY SENSOR (REP 10.3)
12	162K29350	TD POS HARNESS
13	38E18350	PAPER FEED GUIDE FRAME
14	110E7570	BYPASS SWITCH (REP 10.1)
15	(P/O ITEM 1)	PINCH ROLL
16	809E2000	PINCH ROLL SPRING
17	105K17050	TRANS DISCHARGE PS (REP 10.2)
17A	NOT SPARED	NEUTRALIZATION COROTRON
18	101E13720	COVER
19	115E5860	CONTACT
20	15E64460	TONER SHEET
21	38E18371	PAPER GUIDE SHEET
22	64K1330	TRANSFER DRUM LOWER FRAME

* THE GAMMA SENSOR REPAIR KIT INCLUDES A 4 PIN GAMMA SENSOR AND A NEW CONNECTOR BOARD. THE OLD CONNECTOR BOARDS HAVE A 3 PIN CONNECTOR.

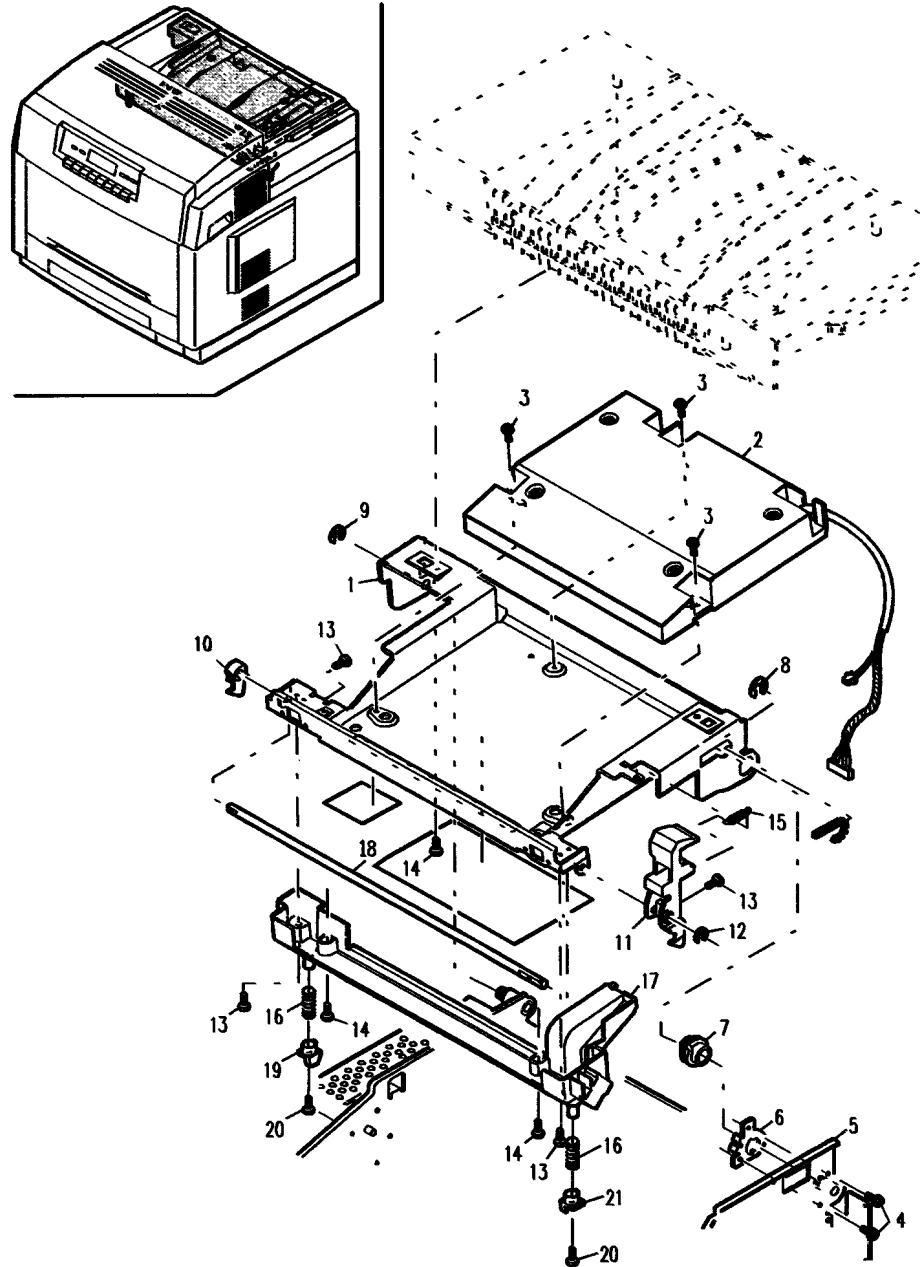
PL 11.1 TRANSFER DRUM ASSEMBLY

1 { 2 - 19
20 { 21 - 23



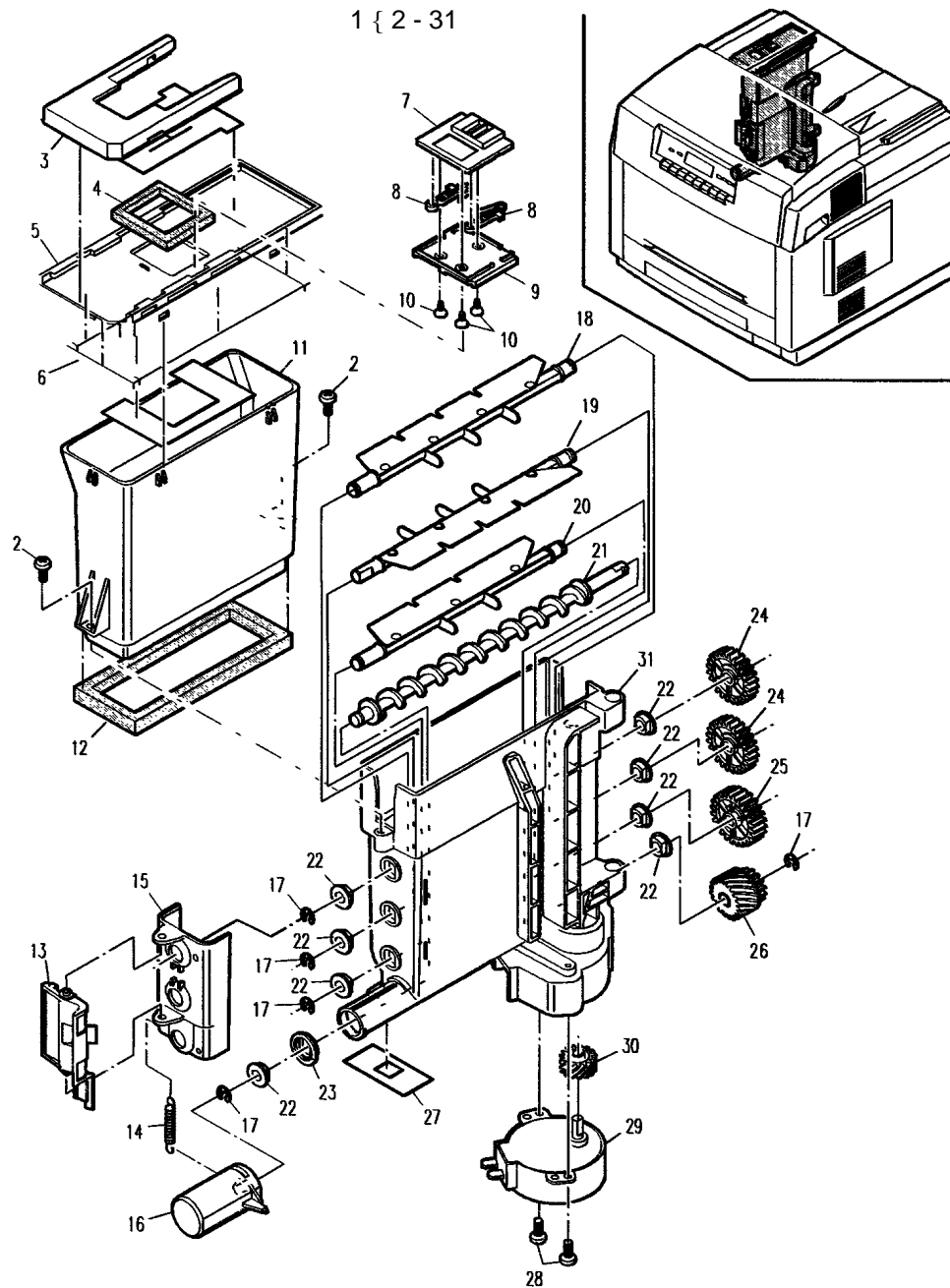
ITEM	PART	DESCRIPTION
1	20K8090	TRANSFER DRUM ASSEMBLY (REP 9.8)
2	(P/O ITEM 1)	RETAINING RING
3	(P/O ITEM 1)	TR DRUM COLLAR
4	(P/O ITEM 1)	WASHER
5	(P/O ITEM 1)	SEAL
6	(P/O ITEM 1)	DRUM
7	(P/O ITEM 1)	BRAKE PLATE
8	(P/O ITEM 1)	SCREW (M4X6)
9	(P/O ITEM 1)	BRAKE PAD
10	(P/O ITEM 1)	SEAL
11	(P/O ITEM 1)	PLATE
12	(P/O ITEM 1)	DISK
13	(P/O ITEM 1)	BRAKE SPRING
14	(P/O ITEM 1)	SCREW (M3X8)
15	(P/O ITEM 1)	OUTER PLATE
16	(P/O ITEM 1)	TR DRUM GEAR
17	(P/O ITEM 1)	SCREW (M4X12)
18	(P/O ITEM 1)	HUB
19	(P/O ITEM 1)	SETSCREW (M4X6)
20	600K71710	NIP WHEEL ADJUSTMENT KIT
21	(P/O ITEM 20)	NIP WHEEL
22	(P/O ITEM 20)	WASHER
23	(P/O ITEM 20)	SCREW

PL 12.1 ROS COMPONENTS



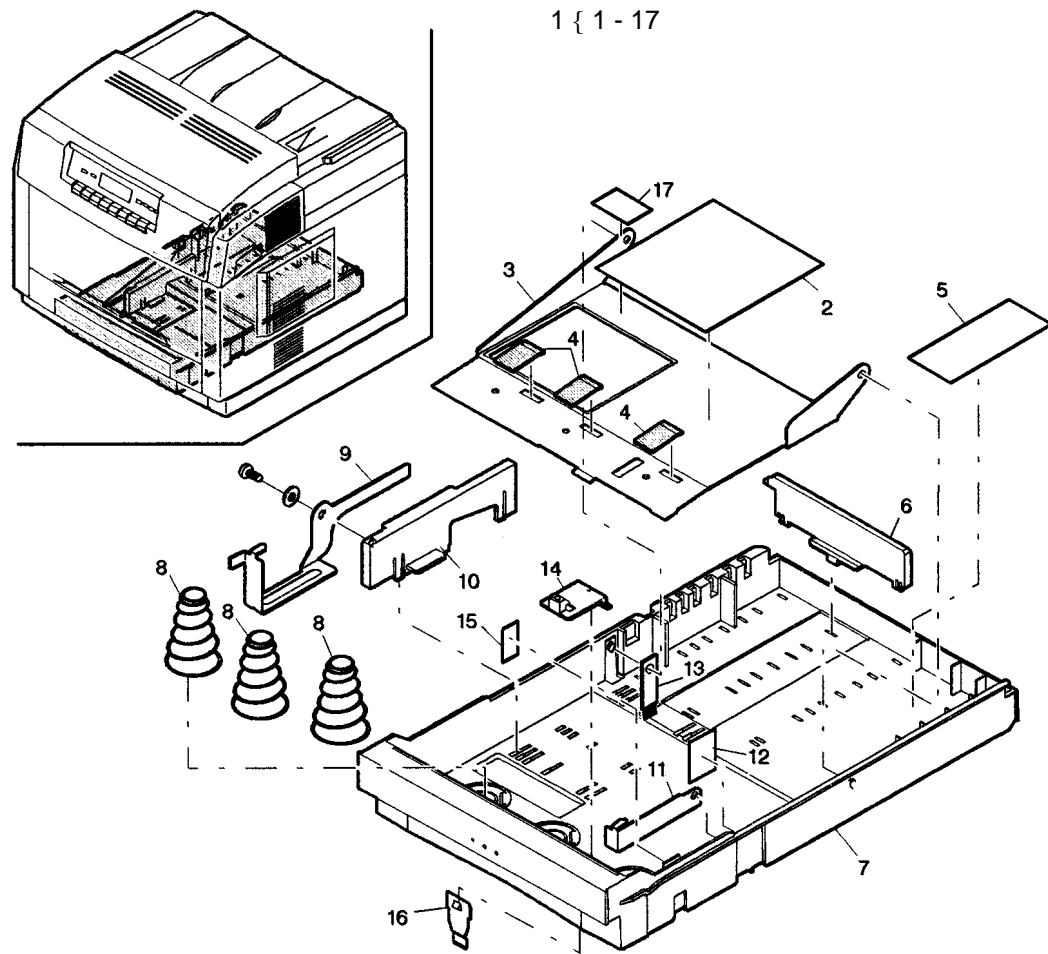
ITEM	PART	DESCRIPTION
1	NOT SPARED	UPPER FRAME
2	122K1760	ROS (REP 12.1)
3	NOT SPARED	SCREW
4	NOT SPARED	SCREW (M4X8)
5	NOT SPARED	RIGHT MAIN FRAME
6	15E64340	SPRING PLATE
7	809E2240	FRAME SPRING
8	NOT SPARED	RETAINING RING (9MM)
9	NOT SPARED	RETAINING RING (7MM)
10	7E48300	ROS LATCH
11	11E7370	RELEASE LEVER
12	NOT SPARED	RETAINING RING (5MM)
13	NOT SPARED	SCREW
14	NOT SPARED	SCREW (M3X8)
15	809E1790	SPRING
16	809E1750	FUSER SPRING
17	48E43570	FRAME COVER
18	6E61620	LOCK SHAFT
19	17E7740	LEFT FUSER STOP
20	NOT SPARED	SCREW (M3X6)
21	17E8370	RIGHT FUSER STOP

PL 13.1 BLACK TONER DISPENSER ASSEMBLY



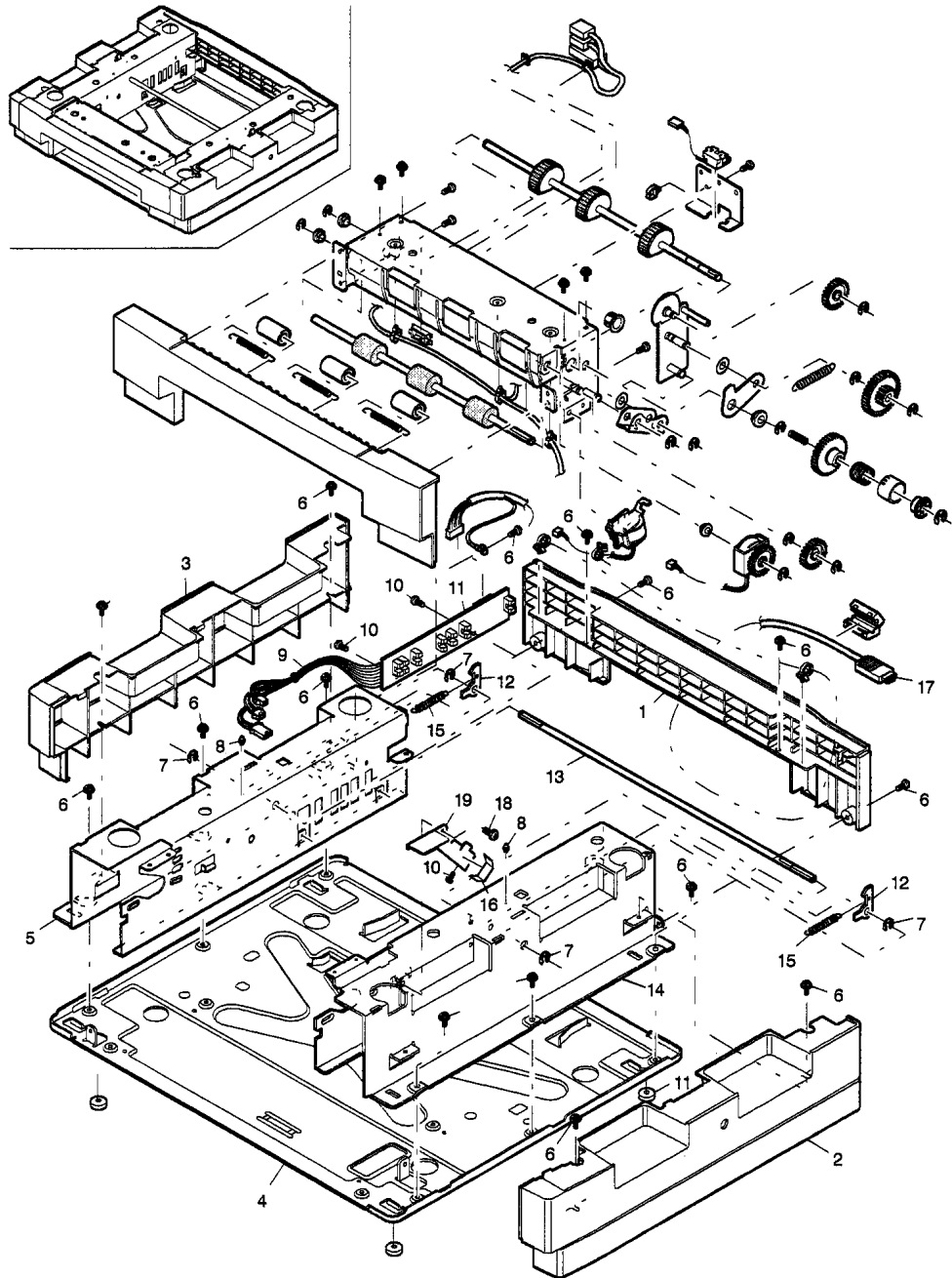
ITEM	PART	DESCRIPTION
1	50K35390	TONER DISPENSER ASSEMBLY
2	(P/O ITEM 1)	SCREW (M3X8)
3	(P/O ITEM 1)	COVER
4	(P/O ITEM 1)	SEAL
5	(P/O ITEM 1)	CARTRIDGE BASE PLATE
6	(P/O ITEM 1)	SEAL
7	(P/O ITEM 1)	COVER
8	(P/O ITEM 1)	COVER LOCK PAWL
9	(P/O ITEM 1)	COVER
10	(P/O ITEM 1)	SCREW (M3X5)
11	(P/O ITEM 1)	HOPPER
12	(P/O ITEM 1)	SEAL
13	11E7400	LOCK LEVER
14	809E1990	SHUTTER SPRING
15	1E43750	LOCK FRAME
16	55E37730	SHUTTER
17	28E12150	RETAINING RING (4MM)
18	(P/O ITEM 1)	PADDLE
19	(P/O ITEM 1)	PADDLE
20	(P/O ITEM 1)	PADDLE
21	(P/O ITEM 1)	AUGER
22	13E12540	BEARING
23	13E12560	BEARING
24	7E48390	UPPER TONER GEAR
25	7E48400	LOWER TONER GEAR
26	7E48410	GEAR
27	35E41680	TONER SEAL
28	(P/O ITEM 1)	SCREW (M3X6)
29	127E10920	TONER MOTOR (BLACK)
30	7E48430	DRIVE GEAR
31	(P/O ITEM 1)	TONER HOPPER

PL 14.1 PAPER CASSETTE COMPONENTS



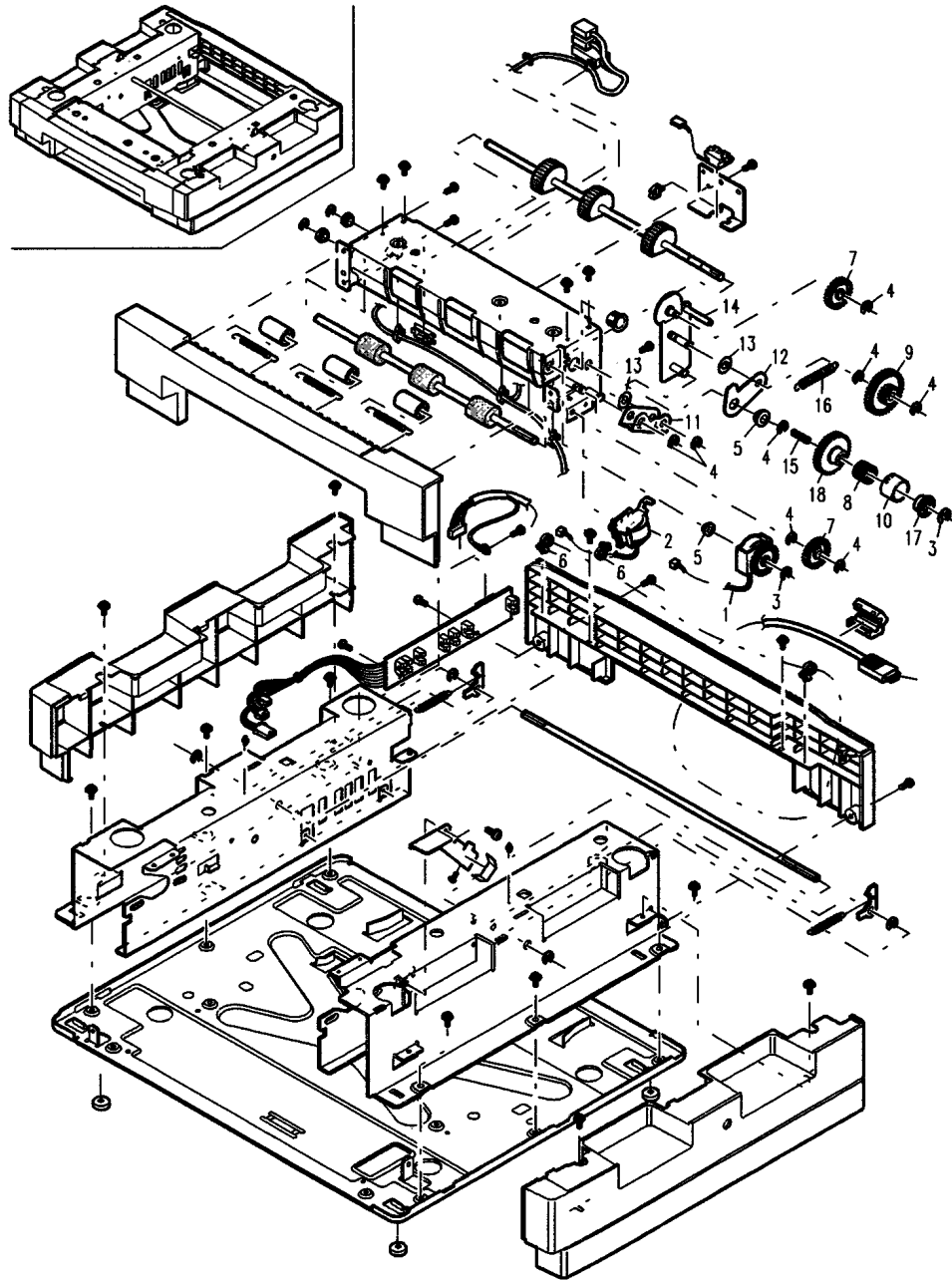
ITEM	PART	DESCRIPTION
1	50K40300	PAPER TRAY ASSEMBLY (ALSO AVAILABLE AS CUSTOMER OPTION 98S3034)
2	NOT SPARED	INSTRUCTION LABEL
3	NOT SPARED	ROTATION PLATE
4	NOT SPARED	RETARD PAD
5	NOT SPARED	SIZE LABEL A
6	NOT SPARED	REAR GUIDE
7	NOT SPARED	CASSETTE CASE
8	NOT SPARED	SPRING
9	NOT SPARED	LEFT SNUBBER
10	NOT SPARED	SIDE GUIDE
11	NOT SPARED	RIGHT SNUBBER
12	NOT SPARED	LABEL
13	NOT SPARED	DISCHARGE BRUSH
14	NOT SPARED	STOPPER
15	NOT SPARED	SIDE PLATE
16	NOT SPARED	ROTATION LOCK SPRING
17	NOT SPARED	SIZE LABEL B

PL 27.1 TRAY 2 COMPONENTS (1 OF 3)



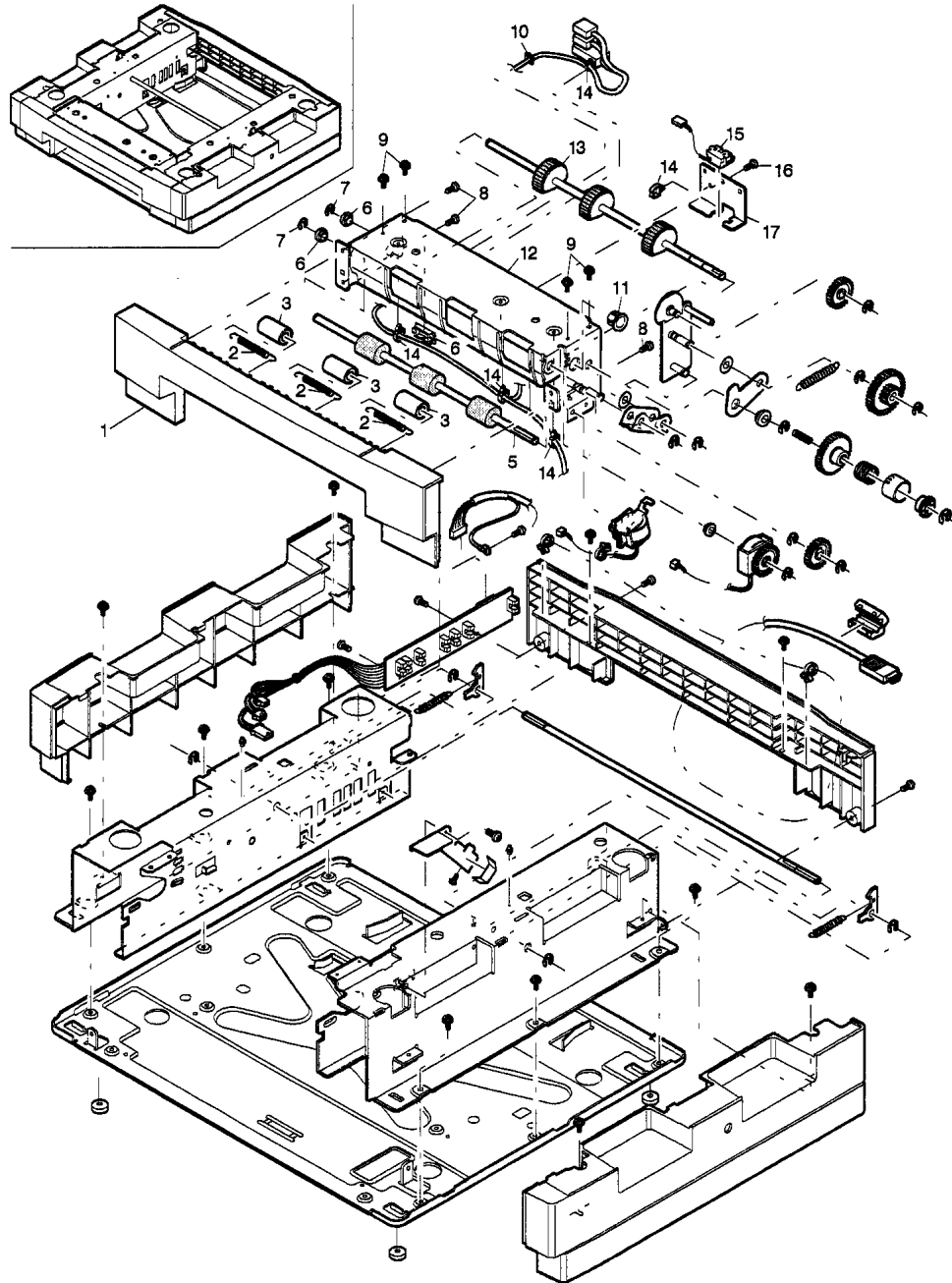
ITEM	PART	DESCRIPTION
1	48E53780	REAR COVER
2	48E53790	RIGHT COVER
3	48E53770	LEFT COVER
4	NOT SPARED	FRAME BASE PLATE
5	NOT SPARED	LEFT FRAME
6	NOT SPARED	SCREW (M4X6)
7	NOT SPARED	E-RING (6MM)
8	NOT SPARED	POSITION PIN
9	162K35720	SENSOR HARNESS
10	NOT SPARED	SCREW (M3X6)
11	160K41070	CASSETTE PWB (REP 27.3)
12	7E51250	LOCK PAWL
13	6E61680	LOCK SHAFT
14	NOT SPARED	RIGHT FRAME
15	80935800	LOCK SPRING
16	809E5810	LEVER SPRING
17	117E18520	INTERFACE CABLE
18	NOT SPARED	SCREW
19	11E7610	JOINT LEVER

PL 27.2 TRAY 2 COMPONENTS (2 OF 3)



ITEM	PART	DESCRIPTION
1	121E14310	DRIVE CLUTCH (REP 27.7)
2	121E14320	FEED SOLENOID (REP 27.5)
3	NOT SPARED	E-RING (4MM)
4	NOT SPARED	E-RING (5MM)
5	NOT SPARED	BEARING
6	NOT SPARED	SNAP BAND
7	7E51260	GEAR (24T)
8	NOT SPARED	SPRING
9	NOT SPARED	GEAR (17/42T)
10	NOT SPARED	FEED SLEEVE
11	12E8450	LOWER DRIVE LINK
12	NOT SPARED	UPPER DRIVE LINK
13	NOT SPARED	WASHER
14	31E8820	DRIVE ARM
15	NOT SPARED	FEED ROLLER SPRING
16	NOT SPARED	LINK SPRING
17	NOT SPARED	CAM CLUTCH BOSS
18	NOT SPARED	GEAR

PL 27.3 TRAY 2 COMPONENTS (3 OF 3)



ITEM	PART	DESCRIPTION
1	48E53670	FRONT COVER
2	809E5790	ROLLER SPRING
3	NOT SPARED	ROLLER
4	NA	
5	22E21900	DRIVE ROLLER
6	13E13430	BEARING
7	NOT SPARED	E-RING (5MM)
8	NOT SPARED	SCREW (M3X16)
9	NOT SPARED	SCREW (M3X6)
10	NOT SPARED	WIRE HOLDER
11	16E13280	CORD BUSHING
12	NOT SPARED	PAPER FEED FRAME
13	22E21010	FEED ROLLER
14	NOT SPARED	SNAP BAND
15	130E8490	TRAY EMPTY SENSOR (REP 27.4)
16	NOT SPARED	SCREW (M4X6)
17	49E84460	DRIVE SENSOR BRACKET

<u>PART NUMBER</u>	<u>PL LOC</u>	<u>PART NUMBER</u>	<u>PL LOC</u>	<u>PART NUMBER</u>	<u>PL LOC</u>	<u>PART NUMBER</u>	<u>PL LOC</u>	<u>PART NUMBER</u>	<u>PL LOC</u>	<u>PART NUMBER</u>	<u>PL LOC</u>
101E13090	1.1	121E13400	9.1	13E12570	8.3	162K28000	3.2A	20E28780	4.4	31E8820	27.2
101E13680	10.1	121E13410	5.1	13E12570	10.1	162K28010	3.2A	20E28790	4.4	32E11450	6.2
101E13700	2.1	121E13420	5.1	13E12580	10.3	162K29280	1.1	20K8090	11.1	32E11460	7.1
101E13720	10.4	121E13430	5.1	13E12590	9.2	162K29290	10.2	22E20990	8.1	32E11470	7.1
105K16390	3.1	121E13440	9.2	13E13350	4.4	162K29300	7.1	22E21000	8.2	32E11480	7.2
105K16400	3.1	121E13450	8.2	13E13360	9.1	162K29320	9.1	22E21010	8.2	32E11490	6.1
105K16410	4.2	121E13460	8.3	13E13370	8.1	162K29330	7.1	22E21010	27.3	35E41680	13.1
105K17050	10.4	121E13470	8.3	13E13380	6.3	162K29340	10.4	22E21020	8.2	35E41690	9.4
110E7550	4.5	121E14310	27.2	13E13390	4.4	162K29350	10.4	22E21030	8.1	35E41700	9.4
110E7560	4.5	121E14320	27.2	13E13420	10.3	162K35580	9.1	22E21880	4.1	35E41710	9.4
110E7570	10.4	121K15660	3.2A	13E13430	27.3	162K35590	7.1	22E21890	4.1	35E41720	9.4
110E9930	10.3	122E2170	10.2	146K560	3.2A	162K35600	4.3	22E21900	27.3	35E43370	9.4
115E5410	10.3	122K1760	12.1	14E32670	10.1	162K35610	4.5	22K53880	8.1	38E17370	1.1
115E5830	2.1	127E10890	4.3	14E34360	10.2	162K35620	7.2	22K53890	9.1	38E17380	8.1
115E5840	9.1	127E10900	4.3	15E59930	6.2	162K35630	9.1	22K53890	10.1	38E18350	10.4
115E5850	9.1	127E10910	9.1	15E59940	7.2	162K35640	8.3	22K53910	2.1	38E18360	2.1
115E5860	10.4	127E10920	13.1	15E59950	10.2	162K35650	10.2	23E14880	9.1	38E18371	10.4
115E6900	10.3	127E10930	10.1	15E59960	9.4	162K35660	8.3	23E14890	2.1	3E42100	7.1
116E7350	7.1	127E10940	4.1	15E59970	9.4	162K35700	4.6	23E14900	9.1	3E42110	1.1
116E7360	7.1	127E10950	4.1	15E64300	9.1	162K35710	9.1	23E14910	9.1	42E1390	9.4
116E7370	7.2	12E8150	9.2	15E64310	6.3	162K35720	27.1	23E14920	4.5	48E43530	2.1
116E7380	6.1	12E8160	10.3	15E64320	4.4	16E12450	5.1	23E14930	4.5	48E43540	1.1
116E7390	6.1	12E8400	6.2	15E64340	12.1	16E12460	5.1	23E14940	4.4	48E43550	1.1
116E7400	6.1	12E8410	7.2	15E64350	7.1	16E12470	8.2	23E14950	4.4	48E43560	1.1
117E18520	27.1	12E8420	7.2	15E64370	2.1	16E12490	8.3	24E2480	1.1	48E43570	12.1
118E13750	7.2	12E8430	4.1	15E64440	10.1	16E12500	9.4	26E60290	9.4	48E43580	1.1
118E13760	8.1	12E8440	4.1	15E64450	10.1	16E13280	27.3	28E12140	9.1	48E43590	10.2
118E13770	7.1	12E8450	27.2	15E64460	10.4	17E7740	12.1	28E12150	13.1	48E53670	27.3
118E13780	8.1	130E7970	9.1	160K27110	3.2A	17E8350	7.2	28E12160	6.3	48E53730	1.1
11E7360	7.2	130E7970	10.2	160K32790	3.1	17E8360	7.1	28E12170	6.3	48E53740	1.1
11E7370	12.1	130E7980	2.1	160K32850	3.1	17E8370	12.1	29E25280	4.4	48E53750	9.4
11E7380	6.1	130E8000	8.2	160K40220	3.2A	180K60120	4.2	29E25290	9.4	48E53770	27.1
11E7390	8.2	130E8010	10.4	160K40550	3.2A	19E36010	9.3	29E27440	9.3	48E53780	27.1
11E7400	13.1	130E8490	27.3	160K40560	3.2A	19E37480	7.2	29E27450	6.2	48E53790	27.1
11E7610	27.1	13E12510	5.1	160K40980	3.2A	19K4100	9.3	29E27460	6.2	48K56910	2.1
120E15800	2.1	13E12520	2.1	160K41070	27.1	1E43740	9.1	29E27470	9.2	48K56920	1.1
120E15810	9.2	13E12520	9.2	160K44790	3.2B	1E43750	13.1	29E27480	10.3	49E71990	10.2
120E15820	10.1	13E12520	9.3	160K49683	3.1	1E43760	9.2	29E27490	10.4	49E72000	4.5
121E13350	4.6	13E12520	9.4	160K50080	4.2	1E43760	10.1	29E27500	6.2	49E84400	10.2
121E13360	4.6	13E12540	13.1	160K54960	3.2B	1E46930	2.1	31E8350	10.2	49E84410	4.1
121E13370	4.6	13E12550	5.1	160K63720	3.1	1E46940	8.1	31E8360	9.2	49E84420	10.1
121E13380	4.6	13E12560	13.1	162E29310	10.2	20E28760	4.3	31E8370	9.2	49E84430	10.4
121E13390	5.1	13E12570	8.2	162K27990	3.2A	20E28770	4.5	31E8800	4.1	49E84450	9.1

<u>PART NUMBER</u>	<u>PL LOC</u>	<u>PART NUMBER</u>	<u>PL LOC</u>	<u>PART NUMBER</u>	<u>PL LOC</u>	<u>PART NUMBER</u>	<u>PL LOC</u>
49E84460	27.3	733W6866	3.2B	809E1700	4.1	809E5680	9.2
50K35390	13.1	733W6867	3.2B	809E1720	8.1	809E5770	9.1
50K40300	14.1	7E48280	9.1	809E1740	5.1	809E5780	10.3
53E5390	10.1	7E48300	12.1	809E1750	12.1	809E5790	27.3
55E37720	10.2	7E48310	5.1	809E1760	8.1	809E5810	27.1
55E37730	13.1	7E48320	5.1	809E1770	5.1	8E5720	5.1
55E37740	9.2	7E48330	5.1	809E1780	2.1	8E5720	8.2
55E37750	8.3	7E48340	9.1	809E1790	12.1	8E5730	6.2
55E38910	2.1	7E48350	9.1	809E1810	6.2	8E5740	8.2
55E38920	10.2	7E48360	9.1	809E1830	10.2	8E5750	6.3
55E38931	8.1	7E48370	9.1	809E1840	6.1	8E5780	9.4
5E12180	8.2	7E48380	9.1	809E1850	10.2	8R7748	8.1
5E12200	6.3	7E48390	13.1	809E1860	8.2	908E1730	7.2
5E12210	6.3	7E48400	13.1	809E1970	7.1		
5K4960	9.4	7E48410	13.1	809E1990	13.1		
600K65260	8.1	7E48420	4.3	809E2000	8.1		
600K65270	10.2	7E48430	13.1	809E2000	10.4		
600K65270	10.4	7E48440	9.2	809E2010	10.3		
600K71720	9.4	7E48440	10.3	809E2020	9.2		
600K75290	9.4	7E48450	4.5	809E2030	6.3		
600K75290	11.1	7E48460	4.5	809E2040	9.2		
62E8750	10.1	7E48470	10.4	809E2050	8.2		
6E58160	2.1	7E48480	4.4	809E2060	9.2		
6E61510	8.1	7E48490	8.3	809E2060	10.3		
6E61520	4.4	7E48500	8.2	809E2080	8.2		
6E61530	8.2	7E48510	8.2	809E2090	4.5		
6E61550	9.3	7E48520	8.3	809E2100	9.3		
6E61560	5.1	7E48530	8.2	809E2110	4.5		
6E61570	5.1	7E48540	4.6	809E2120	8.3		
6E61580	5.1	7E48570	8.3	809E2140	8.2		
6E61590	5.1	7E48580	9.4	809E2150	8.3		
6E61600	6.2	7E48590	9.4	809E2170	4.1		
6E61610	6.2	7E48600	9.4	809E2180	9.4		
6E61620	12.1	7E51200	2.1	809E2190	9.4		
6E61630	10.4	7E51210	2.1	809E2200	9.4		
6E61640	5.1	7E51250	27.1	809E2210	9.4		
6E61650	5.1	7E51260	27.2	809E2240	12.1		
6E61680	27.1	7E63600	9.2	809E5600	6.3		
733W3642	3.2A	7E63600	10.3	809E5610	6.3		
733W3647	3.2A	802E6940	1.1	809E5620	7.1		
733W3660	3.2A	802E6950	1.1	809E5640	8.1		
733W3675	3.2A	80935800	27.1	809E5660	2.1		
733W6865	3.2B	809E1670	6.2	809E5670	2.1		